

# **Electronic Data Interchange**

## **IFTSTA version D.94A**

Subset defined for  
status messages from  
Bring Parcels

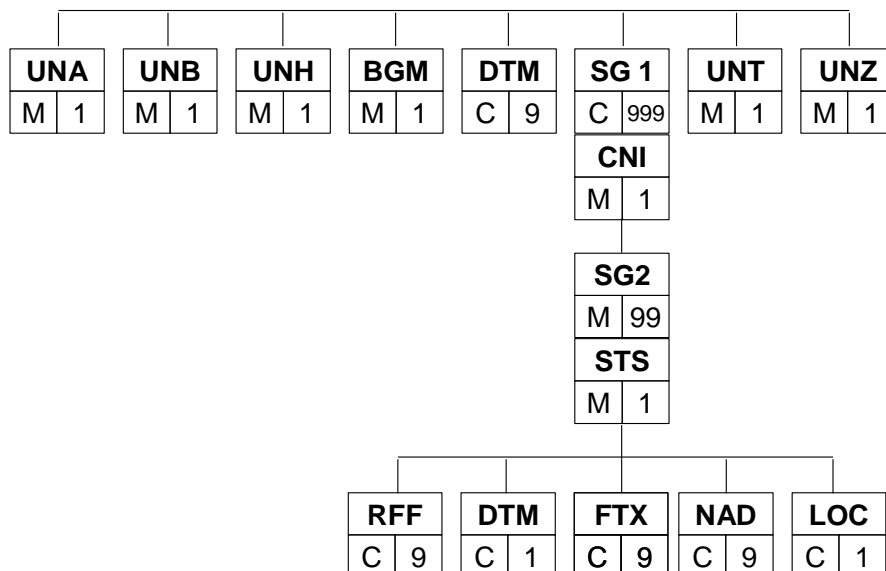
Bring Parcels version 001g (5/4-2006)

# Final

## Introduction:

A message from a party who has captured an event in the transport chain.

<u>Segment</u>	<u>Name</u>	<u>Status</u>	<u>Max.Use</u>	<u>Group Repeat</u>	<u>Comments</u>
UNA	Service string advice	M	1		
UNB	Interchange header	M	1		
UNH	Message Header	M	1		
BGM	Beginning of message	M	1		
DTM	Date/time/period	C	9		
	Segment Group 1: CNI	C		999	Normally only 1 CNI group per message
CNI	Consignment information	M	1		
	Segment Group 2: STS-RFF-DTM-FTX-NAD-LOC	M		99	
STS	Status	M	1		
RFF	Reference	C	9		
DTM	Date/time/period	C	1		
FTX	Free text	C	9		
NAD	Name and address	C	9		
LOC	Place/location identification	C	1		
UNT	Message trailer	M	1		
UNZ	Interchange trailer	M	1		



## Example:

UNA:+.? '  
UNB+UNOC:3+7340001400007:14+PNLSE00109001:ZPNL+060405:0821+0000028409'

UNH+1+IFTSTA:D:94A:UN:PNL001'  
BGM+77++9'  
DTM+137:200604050623:203'  
CNI+1+CS600814443DK'  
STS++1'  
RFF+CU:LOK-0025133'  
DTM+183:200604050623:203'  
LOC+ZZZ+:::Våsterås/SE'  
UNT+9+1'

UNH+2+IFTSTA:D:94A:UN:PNL001'  
BGM+77++9'  
DTM+137:200604050820:203'  
CNI+1+CS600813765DK'  
STS++21'  
RFF+CU:LOK-0025131'  
DTM+183:200604050745:203'  
NAD+AP+++Roger Tryggvesson'  
LOC+ZZZ+:::Karlstad/SE'  
UNT+10+2'

UNH+3+IFTSTA:D:94A:UN:PNL001'  
BGM+77++9'  
DTM+137:200604050806:203'  
CNI+1+CS600813726DK'  
STS++210+C12:ZZZ:139:Business closed/Item held'  
RFF+CU:LOK-0025064'  
RFF+SRN:73400014000612026'  
DTM+183:200604050731:203'  
LOC+ZZZ+DK5853:16:::Ørbæk'  
UNT+10+3'

UNH+4+IFTSTA:D:94A:UN:PNL001'  
BGM+77++9'  
DTM+137:200604050805:203'  
CNI+1+CS600813690DK'  
STS++21'  
DTM+183:200604050755:203'  
NAD+AP+++ØYEHALS'  
LOC+ZZZ+NO0020:16:::Oslo'  
UNT+9+4'

UNZ+4+0000028409'

<b>IFTSTA</b>		Status message	<b>EDIFACT</b>		<b>Bring Parcels</b>		
<b>Tag</b>	<b>Data Element</b>	<b>Name</b>	<b>Status</b>	<b>Format</b>	<b>Status</b>	<b>Value</b>	<b>Comments</b>
<b>UNA</b>		<b>Service String advice</b>	<b>M 1</b>		<b>M 1</b>		
	UNA 1	COMPONENT DATA, ELEMENT SEPARATOR	M	an1	M	:	(colon)
	UNA 2	DATA ELEMENT SEPARATOR	M	an1	M	+	(plus)
	UNA 3	DECIMAL NOTATION	M	an1	M	.	(point)
	UNA 4	RELEASE INDICATOR	M	an1	M	?	(questionmark)
	UNA 5	Reserved for future use	M	an1	M		Insert space character
	UNA 6	SEGMENT TERMINATOR	M	an1	M	'	(apostrophe)
<b>Example:</b> UNA:+.? '							
<b>Note:</b> UNA must always be used due to the use of charset UNOC							

IFTSTA		Status message	EDIFACT		Bring Parcels		
Tag	Data Element	Name	Status	Format	Status	Value	Comments
<b>UNB</b>		<b>Interchange Header</b>	<b>M 1</b>		<b>M 1</b>		
	<b>S001</b>	<b>SYNTAX IDENTIFIER</b>	<b>M</b>		<b>M</b>		
	0001	Syntax identifier	M	a4	M	UNOC	UN/ECE level C
	0002	Syntax version number	M	n1	M	3	Syntax version number 3
	<b>S002</b>	<b>INTERCHANGE SENDER</b>	<b>M</b>		<b>M</b>		
	0004	Sender identification	M	an..35	M		Bring Parcels: 7340001400007
	0007	Partner identification code qualifier	C	an..4	C	14	EAN, European Article Number - locations code
	0008	Address for reverse routing	C	an..14	Not used		
	<b>S003</b>	<b>INTERCHANGE RECIPIENT</b>	<b>M</b>		<b>M</b>		
	0010	Recipient Identification	M	an..35	M		EAN-location number (n13) or other agreed EDI address
	0007	Partner identification code qualifier	C	an..4	C	14 ZPNL	EAN-location number Bring Parcels address for the recipient
	0014	Routing address	C	an..14	Not used		
	<b>S004</b>	<b>DATE/TIME OF PREPARATION</b>	<b>M</b>		<b>M</b>		
	0017	Date	M	n6	M		YYMMDD
	0019	Time	M	n4	M		HHMM
	<b>0020</b>	<b>INTERCHANGE CONTROL REFERENCE</b>	<b>M</b>	<b>an..14</b>	<b>M</b>		Unique reference for the interchange assigned by the sender
	<b>S005</b>	<b>RECIPIENTS REFERENCE, PASSWORD</b>	<b>C</b>		<b>Not used</b>		
	0022	Recipient's reference/password	M	an..14	Not used		
	0025	Recipient's reference/password qualifier	C	an2	Not used		
	<b>0026</b>	<b>APPLICATION REFERENCE</b>	<b>C</b>	<b>an..14</b>	<b>Not used</b>		
	<b>0029</b>	<b>PROCESSING PRIORITY CODE</b>	<b>C</b>	<b>a1</b>	<b>Not used</b>		
	<b>0031</b>	<b>ACKNOWLEDGEMENT REQUEST</b>	<b>C</b>	<b>n1</b>	<b>Not used</b>		
	<b>0032</b>	<b>COMMUNICATIONS AGREEMENT ID</b>	<b>C</b>	<b>an..35</b>	<b>Not used</b>		
	<b>0035</b>	<b>TEST INDICATOR</b>	<b>C</b>	<b>n1</b>	<b>Not used</b>		
<b>Example:</b> UNB+UNOC:3+7340001400007:14+PNLSE00095764:ZPNL+020613:1020+873656'							

<b>IFTSTA</b>		Status message	EDIFACT		Bring Parcels		
Tag	Data Element	Name	Status	Format	Status	Value	Comments
<b>UNH</b>		<b>Message header</b>	<b>M 1</b>		<b>M 1</b>		
	<b>0062</b>	<b>MESSAGE REFERENCE NUMBER</b>	<b>M</b>	<b>an..14</b>	<b>M</b>		Message reference assigned by the sender
	<b>S009</b>	<b>MESSAGE IDENTIFIER</b>	<b>M</b>		<b>M</b>		
	0065	Message type identifier	M	an..6	M	IFTSTA	Instruction
	0052	Message type version number	M	an..3	M	D	Status 2 message
	0054	Message type release number	M	an..3	M	94A	
	0051	Controlling agency	M	an..2	M	UN	United nations
	0057	Association assigned code	C	an..6	C	PNL001	Issued by Bring Parcels - version 001
<b>Example:</b> UNH+1+IFTSTA:D:94A:UN:PNL001'							

<b>IFTSTA</b>		Status message	EDIFACT		Bring Parcels		
Tag	Data Element	Name	Status	Format	Status	Value	Comments
<b>BGM</b>		<b>Beginning of message</b>	<b>M 1</b>		<b>M 1</b>		
	<b>C002</b>	<b>DOCUMENT/MESSAGE NAME</b>	<b>C</b>		<b>C</b>		
	1001	Document/message name, coded	C	an..3	C	77	Status report
	1131	Code list qualifier	C	an..3	Not used		
	3055	Code list responsible agency, coded	C	an..3	Not used		
	1000	Document/message name	C	an..35	Not used		
	<b>1004</b>	<b>DOCUMENT/MESSAGE NUMBER</b>	<b>C</b>	<b>an..35</b>	<b>Not used</b>		
	<b>1225</b>	<b>MESSAGE FUNCTION, CODED</b>	<b>C</b>	<b>an..3</b>	<b>C</b>	9	Original (default)
	<b>4343</b>	<b>RESPONSE TYPE, CODED</b>	<b>C</b>	<b>an..3</b>	<b>Not used</b>		
<b>Example:</b> BGM+77++9'							

<b>IFTSTA</b>		Status message	EDIFACT		Bring Parcels		
Tag	Data Element	Name	Status	Format	Status	Value	Comments
<b>DTM</b>		<b>Date/time/period</b>	<b>C 9</b>		<b>C 9</b>		
	<b>C507</b>	<b>DATE/TIME/PERIOD</b>	<b>M</b>		<b>M</b>		
	2005	Date/time/period qualifier	M	an..3	M	137	Document/message date/time
	2380	Date/time/period	C	an..35	C		Date
	2379	Date/time/period format qualifier	C	an..3	C	203	CCYYMMDDHHMM
<b>Example:</b> DTM+137:200206131015:203'							



<b>IFTSTA</b>		Status message	<b>EDIFACT</b>		<b>Bring Parcels</b>		
<b>Tag</b>	<b>Data Element</b>	<b>Name</b>	<b>Status</b>	<b>Format</b>	<b>Status</b>	<b>Value</b>	<b>Comments</b>
<b>GR 1</b>		<b>Consignment information</b>	<b>C</b>	<b>999</b>	<b>C</b>	<b>999</b>	
<b>CNI</b>		<b>Consignment information</b>	<b>M 1</b>		<b>M 1</b>		
	<b>1490</b>	<b>CONSOLIDATION ITEM NUMBER</b>	<b>C</b>	<b>n..4</b>	<b>C</b>		1 (fixed value)
	<b>C503</b>	<b>DOCUMENT/MESSAGE DETAILS</b>	<b>C</b>				
	1004	Document/message number	C	an..35	C		Bring Parcels Package ID
	1373	Document/message status, coded	C	an..3	Not used		
	1366	Document/message source	C	an..35	Not used		
	3453	Language, coded	C	an..3	Not used		
	1312	CONSIGNMENT LOAD SEQUENCE NUMBER	C	n..4	Not used		
<b>Example:</b> CNI+1+CC123456789DK'							

IFTSTA		Status message	EDIFACT		Bring Parcels		
Tag	Data Element	Name	Status	Format	Status	Value	Comments
<b>GR 2</b>		<b>Status</b>	<b>M 99</b>		<b>M 99</b>	<b>[1]</b>	
<b>STS</b>	<b>STS</b>	<b>Transport status report</b>	<b>M 1</b>		<b>M 1</b>		
	<b>C601</b>	<b>STATUS TYPE</b>	<b>C</b>		<b>Not used</b>		
	9015	Status type, coded	M	an..3	Not used		
	1131	Code list qualifier	C	an..3	Not used		
	3055	Code list responsible agency, coded	C	an..3	Not used		
	<b>C555</b>	<b>STATUS EVENT</b>	<b>C</b>		<b>C</b>		
	9011	Status event, coded	M	an..3	M		<b>In accordance with UN recommendation No. 24</b> <i>Standard codes:</i> 1 Arrived to a terminal 6 Booked (IFTMIN received) 13 Posting/Collection 24 Departed from a terminal 21 Delivered 126 Customs clearance in progress  <i>Non delivery codes:</i> 18 Damage during transport 20 Delayed in transport 23 Delivery not completed 49 Lost 112 Delayed by consignee 210 Unsuccessfull delivery attempt 282 Delivery refused by consignee
	1131	Code list qualifier	C	an..3	Not used		
	3055	Code list responsible agency, coded	C	an..3	Not used		
	<b>C556</b>	<b>STATUS REASON</b>	<b>C</b>		<b>C</b>		
	9013	Status reason, coded	M	an..3	M		<b>UPU non delivery codes:</b> According to appendix 1
	1131	Code list qualifier	C	an..3	C	ZZZ	Mutually agreed
	3055	Code list responsible agency, coded	C	an..3	C	139	UPU (Universal Postal Union)
	9012	Status reason	C	an..35	C		Code translated into plain text

Continued on next page...

IFTSTA		Status message	EDIFACT		Bring Parcels		
Tag	Data Element	Name	Status	Format	Status	Value	Comments
	<b>C556</b>	<b>STATUS REASON</b>	<b>C</b>		<b>Not used</b>		
	9013	Status reason, coded	M	an..3	Not used		
	1131	Code list qualifier	C	an..3	Not used		
	3055	Code list responsible agency, coded	C	an..3	Not used		
	9012	Status reason	C	an..35	Not used		
	<b>C556</b>	<b>STATUS REASON</b>	<b>C</b>		<b>Not used</b>		
	9013	Status reason, coded	M	an..3	Not used		
	1131	Code list qualifier	C	an..3	Not used		
	3055	Code list responsible agency, coded	C	an..3	Not used		
	9012	Status reason	C	an..35	Not used		
	<b>C556</b>	<b>STATUS REASON</b>	<b>C</b>		<b>Not used</b>		
	9013	Status reason, coded	M	an..3	Not used		
	1131	Code list qualifier	C	an..3	Not used		
	3055	Code list responsible agency, coded	C	an..3	Not used		
	9012	Status reason	C	an..35	Not used		
	<b>C556</b>	<b>STATUS REASON</b>	<b>C</b>		<b>Not used</b>		
	9013	Status reason, coded	M	an..3	Not used		
	1131	Code list qualifier	C	an..3	Not used		
	3055	Code list responsible agency, coded	C	an..3	Not used		
	9012	Status reason	C	an..35	Not used		
<b>Example:</b> STS++21' (Delivered) STS++210+A10:ZZZ:139:Incorrect address' STS++282+E13:ZZZ:139:Item returned to sender'							

<b>IFTSTA</b>		Status message	EDIFACT		Bring Parcels		
Tag	Data Element	Name	Status	Format	Status	Value	Comments
<b>RFF</b>		<b>Reference</b>	<b>C 9</b>		<b>C 9</b>		
	<b>C506</b>	<b>REFERENCE</b>	<b>M</b>		<b>M</b>		
	1153	Reference qualifier	M	an..3	M	CU CW SRN	Customer reference (from <b>RFF+CU</b> in IFTMIN) Senders assigne Package ID Sender assigned Shipment ID
	1154	Reference number	C	an..35	C		Reference
	1156	Line number	C	an..6	Not used		
	4000	Reference version number	C	an..35	Not used		
<b>Example:</b> RFF+CU:23564767'							

<b>IFTSTA</b>		Status message	EDIFACT		Bring Parcels		
Tag	Data Element	Name	Status	Format	Status	Value	Comments
<b>DTM</b>		<b>Date/time/period</b>	<b>C 1</b>		<b>C 1</b>		
	<b>C507</b>	<b>DATE/TIME/PERIOD</b>	<b>M</b>		<b>M</b>		
	2005	Date/time/period qualifier	M	an..3	M	183	Event date
	2380	Date/time/period	C	an..35	C		Date/time
	2379	Date/time/period format qualifier	C	an..3	C	203 102	CCYYMMDDHHMM CCYYMMDD (only in case time is unknown)
<b>Example:</b> DTM+183:200206130755:203'							

<b>IFTSTA</b>		Status message	<b>EDIFACT</b>		<b>Bring Parcels</b>		
<b>Tag</b>	<b>Data Element</b>	<b>Name</b>	<b>Status</b>	<b>Format</b>	<b>Status</b>	<b>Value</b>	<b>Comments</b>
<b>FTX</b>		<b>Free text</b>	<b>C 9</b>		<b>C 9</b>	<b>[1]</b>	
	<b>4451</b>	<b>TEXT SUBJECT QUALIFIER</b>	<b>M</b>	<b>an..3</b>	<b>M</b>	ACB	Additional information
	<b>4453</b>	<b>TEXT FUNCTION, CODED</b>	<b>C</b>	<b>an..3</b>	<b>Not used</b>		
	<b>C107</b>	<b>TEXT REFERENCE</b>	<b>C</b>		<b>Not used</b>		
	4441	Free text, coded	M	an..3	Not used		
	1131	Code list qualifier	C	an..3	Not used		
	3055	Code list responsible agency, coded	C	an..3	Not used		
	<b>C108</b>	<b>TEXT LITERAL</b>	<b>C</b>		<b>C</b>		
	4440	Free text	M	an..70	M		Further remarks related to the status
	4440	Free text	C	an..70	Not used		
	4440	Free text	C	an..70	Not used		
	4440	Free text	C	an..70	Not used		
	4440	Free text	C	an..70	Not used		
	3453	LANGUAGE, CODED	C	an..3	Not used		
<b>Example:</b> FTX+ACB+++Wrong postal code'							
<b>Note:</b> [1] This segment is for future use							

IFTSTA		Status message	EDIFACT		Bring Parcels		
Tag	Data Element	Name	Status	Format	Status	Value	Comments
<b>NAD</b>		<b>Name and address</b>	<b>C 9</b>		<b>C 9</b>		
	<b>3035</b>	<b>PARTY QUALIFIER</b>	<b>M</b>	<b>an..3</b>	<b>M</b>	AP	Accepting party
	<b>C082</b>	<b>PARTY IDENTIFICATION DETAILS</b>	<b>C</b>		<b>Not used</b>		
	3039	Party id identification	M	an..17	Not used		
	1131	Code list qualifier	C	an..3	Not used		
	3055	Code list responsible agency, coded	C	an..3	Not used		
	<b>C058</b>	<b>NAME AND ADDRESS</b>	<b>C</b>		<b>Not used</b>		
	3124	Name and address line	M	an..35	Not used		
	3124	Name and address line	C	an..35	Not used		
	3124	Name and address line	C	an..35	Not used		
	3124	Name and address line	C	an..35	Not used		
	3124	Name and address line	C	an..35	Not used		
	<b>C080</b>	<b>PARTY NAME</b>	<b>C</b>		<b>C</b>		
	3036	Party name	M	an..35	M		Name of person who signed for the delivery (for NAD+AP)
	3036	Party name	C	an..35	Not used		
	3036	Party name	C	an..35	Not used		
	3036	Party name	C	an..35	Not used		
	3036	Party name	C	an..35	Not used		
	3045	Party name format, coded	C	an..3	Not used		
	<b>C059</b>	<b>STREET</b>	<b>C</b>		<b>Not used</b>		
	3042	Street and number/P.O. Box	M	an..35	Not used		
	3042	Street and number/P.O. Box	C	an..35	Not used		
	3042	Street and number/P.O. Box	C	an..35	Not used		
	<b>3164</b>	<b>CITY NAME</b>	<b>C</b>	<b>an..35</b>	<b>Not used</b>		
	<b>3229</b>	<b>COUNTRY SUB ENTITY IDENTIFICATION</b>	<b>C</b>	<b>an..9</b>	<b>Not used</b>		
	<b>3251</b>	<b>POSTCODE IDENTIFICATION</b>	<b>C</b>	<b>an..9</b>	<b>Not used</b>		
	<b>3207</b>	<b>COUNTRY, CODED</b>	<b>C</b>	<b>an..3</b>	<b>Not used</b>		
<b>Example:</b> NAD+AP+++G B OLSEN'							

IFTSTA		Status message	EDIFACT		Bring Parcels		
Tag	Data Element	Name	Status	Format	Status	Value	Comments
<b>LOC</b>		<b>Place/location identification</b>	<b>C 1</b>		<b>C 1</b>		
	<b>3227</b>	<b>PLACE/LOCATION QUALIFIER</b>	<b>M</b>	<b>an..3</b>	<b>M</b>	<b>ZZZ</b>	Event place
	<b>C517</b>	<b>LOCATION IDENTIFICATION</b>	<b>C</b>		<b>C</b>		
	3225	Place/location identification	C	an..25	C		Postal code including country code
	1131	Code list qualifier	C	an..3	C	16 (blank)	Postal code directory Other location
	3055	Code list responsible agency, coded	C	an..3	Not used		
	3224	Place/location	C	an..17	C		City name or similar
	<b>C519</b>	<b>RELATED LOCATION ONE IDENTIFICATION</b>	<b>C</b>		<b>Not used</b>		
	3223	Related place/location one identification	C	an..25	Not used		
	1131	Code list qualifier	C	an..3	Not used		
	3055	Code list responsible agency, coded	C	an..3	Not used		
	3222	Related place/location one	C	an..70	Not used		
	<b>C553</b>	<b>RELATED LOCATION TWO IDENTIFICATION</b>	<b>C</b>		<b>Not used</b>		
	3233	Related place/location two identification	C	an..25	Not used		
	1131	Code list qualifier	C	an..3	Not used		
	3055	Code list responsible agency, coded	C	an..3	Not used		
	3232	Related place/location two	C	an..70	Not used		
	<b>5479</b>	<b>RELATION, CODED</b>	<b>C</b>	<b>an..3</b>	<b>Not used</b>		
<b>Example:</b> LOC+ZZZ+NO3015:16::Drammen' LOC+ZZZ+:::Karlstad/SE'							



<b>IFTSTA</b>		Status message	EDIFACT		Bring Parcels		
Tag	Data Element	Name	Status	Format	Status	Value	Comments
<b>UNT</b>		<b>Message trailer</b>	<b>M 1</b>		<b>M 1</b>		
	<b>0074</b>	<b>NUMBER OF SEGMENTS IN A MESSAGE</b>	<b>M</b>	<b>n..6</b>	<b>M</b>		Number of segments in the message, including UNH DE 0062
	<b>0062</b>	<b>MESSAGE REFERENCE NUMBER</b>	<b>M</b>	<b>an..14</b>	<b>M</b>		Identical with the number indicated in UNH DE 0062
<b>Example:</b> UNT+11+1'							

<b>IFTSTA</b>		Status message	EDIFACT		Bring Parcels		
Tag	Data Element	Name	Status	Format	Status	Value	Comments
<b>UNZ</b>		<b>Interchange Trailer</b>	<b>M 1</b>		<b>M 1</b>		
	<b>0036</b>	<b>INTERCHANGE CONTROL COUNT</b>	<b>M</b>	<b>n..6</b>	<b>M</b>		Number of messages in the interchange
	<b>0020</b>	<b>INTERCHANGE CONTROL REFERENCE</b>	<b>M</b>	<b>an..14</b>	<b>M</b>		Unique reference for the interchange. Identical with the number indicated in UNB 0020
<b>Example:</b> UNZ+1+873656'							

## List of UPU reason codes related to UN event codes

Appendix 1

### ***UN Event code 18 - Damage during transport***

A18	Unsuccessful delivery attempt
C18	Item held, addressee being notified
D18	Sender contacted, awaiting reply
E18	Item returned to sender
G18	Item held for inspection
H18	Seized/destroyed due to contents

### ***UN Event code 20 - Delayed in transport***

A16	Missed delivery
B16	Missed delivery/Delivery next day
B17	Wrongly directed/Delivery next day
F17	Wrongly directed/Item reforwarded

### ***UN Event code 23 - Delivery not completed***

A24	Force majeure/Delivery attempt
B24	Force majeure/Delivery next day
B26	Local holiday/Delivery next day
C19	Prohibited article/Item held
C20	Import restricted/Item held
C24	Force majeure/Item held
D19	Prohibited article/Sender contacted
D20	Import restricted/Sender contacted
D23	Deceased/Sender contacted
D24	Force majeure/Sender contacted
E20	Import restricted/Item returned
E23	Deceased/Item returned
E24	Force majeure/Item returned
H19	Prohibited article/Seized/destroyed
J29	P.O.Box/Addressee to pick-up

### ***UN Event code 49 - Lost***

D27	Sender contacted, awaiting reply
I27	Origin post/partner contacted

### ***UN Event code 112 - Delayed by consignee***

A14	Attempted delivery today
B14	Will attempt delivery next day
C25	Addressee requested own pick-up

### ***UN Event code 210 - Unsuccessful delivery attempt***

A10	Incorrect address
A11	Addr. not located
A12	Business closed
A15	Addressee strike/Delivery attempt
A21	Payment of charges
A99	Reason unknown
B10	Incorrect address/Delivery next day
B12	Business closed/Delivery next day
C10	Incorrect address/Item held
C11	Addr. not located/Item held
C12	Business closed/Item held
C15	Addressee strike/Item held
C21	Payment of charges/Item held
D10	Incorrect address/Sender contacted
D11	Addr. not located/Sender contacted
D22	Unclaimed/Sender contacted
D28	Addressee moved/Sender contacted
E10	Incorrect address/Item returned
E11	Addr. not located/Item returned
E22	Unclaimed/Item returned
E28	Addressee moved/Item returned
F10	Incorrect address/Item reforwarded
F28	Addressee moved/Item reforwarded

### ***UN Event code 282 - Delivery refused by consignee***

A13	Attempted delivery today
D13	Sender contacted, awaiting reply
E13	Item returned to sender