



Message Implementation Guideline

BFS (Bring Frigo SE) subset BIG14

based on

IFTMIN

Instruction message

Bring IFTMIN

Version: 2
Variant: 0
Issue date: 2016-06-27
Author: Eva H Walldow

1 Message Structure	4
2 Branching Diagram	6
3 Segments	8
4 Example	41

Change Log BFS IFTMIN

Date	Version	Comments
2016-03-30	Version 2.0	BGM/1001- Code 264 removed
2016-03-30	Version 2.0	FTX+PRD/4440 – contains only 3050 and 3267 (product)
2016-03-30	Version 2.0	FTX+SSR/4440 – new additional service codes
2016-03-30	Version 2.0	FTX+TRR added for product group (Chilled, dry etc.)
2016-03-30	Version 2.0	FTX+ICN - removed
2016-03-30	Version 2.0	RFF/1153 Code IV, Z01 removed
2016-03-30	Version 2.0	NAD+FP – address removed
2016-03-30	Version 2.0	NAD+FP/CTA-COM - removed
2016-03-30	Version 2.0	NAD+PW - removed
2016-03-30	Version 2.0	NAD+DP - removed
2016-03-30	Version 2.0	NAD+N1 - address removed
2016-03-30	Version 2.0	GID/7065 - PA and Z1N added, Z1K and Z1P removed
2016-03-30	Version 2.0	GID/7064 - not in use
2016-04-12	Version 2.0	Code WARM added I FTX+TRR
2016-04-21	Version 2.0	Code 3586 – Tomgods added in FTX+PRD
2016-05-02	Version 2.0	RFF+Z01 (Cash on delivery) removed
2016-05-02	Version 2.0	RFF+IV added
2016-05-02	Version 2.0	MOA segment (Cash on delivery amount) deleted
2016-05-02	Version 2.0	FTX+PRD – only 3050 is a valid code
2016-06-27	Version 2.0	SG11(3) NAD+N1 changed to conditional



Structure / Table of Contents

Counter	No	Tag	St	MaxOcc	Level	Content
0000	1	UNA	R	1	0	Service string advice
0000	2	UNB	M	1	0	Interchange header
0010	3	UNH	M	1	0	Message header
0020	4	BGM	M	1	0	Beginning of message
0050	5	DTM	R	1	1	Date/time/period
0050	6	DTM	C	4	1	Date/time/period
0090	7	FTX	R	1	1	Free text
0090	8	FTX	C	4	1	Free text
0090	9	FTX	C	4	1	Free text
0090	10	FTX	C	2	1	Free text
0100	11	CNT	R	5	1	Control total
0160		SG2	C	1	1	TOD
0170	12	TOD	M	1	1	Terms of delivery or transport
0190		SG3	R	5	1	RFF
0200	13	RFF	M	1	1	Reference
0470		SG8	R	1	1	TDT
0480	14	TDT	M	1	1	Transport information
0570		SG11	M	2	1	NAD-SG12-SG15
0580	15	NAD	M	1	1	Name and address
0610		SG12	C	1	2	CTA-COM
0620	16	CTA	M	1	2	Contact information
0630	17	COM	C	3	3	Communication contact
0750		SG15	C	9	2	RFF
0760	18	RFF	M	1	2	Reference
0570		SG11	M	1	1	NAD-SG15
0580	19	NAD	M	1	1	Name and address
0750		SG15	C	9	2	RFF
0760	20	RFF	M	1	2	Reference
0570		SG11	C	1	1	NAD-SG12
0580	21	NAD	M	1	1	Name and address
0610		SG12	C	9	2	CTA-COM
0620	22	CTA	M	1	2	Contact information
0630	23	COM	C	3	3	Communication contact
0900		SG18	R	999	1	GID-FTX-SG20-SG21-SG23
0910	24	GID	M	1	1	Goods item details
0990	25	FTX	C	1	2	Free text
1060		SG20	C	3	2	MEA

Counter = Counter of segment/group within the standard
 No = Consecutive segment number
 MaxOcc = Maximum occurrence of the segment/group

St = Status
 EDIFACT: M=Mandatory, C=Conditional
 User specific: R=Required, O=Optional, D=Dependent,
 A=Advised, N=Not used



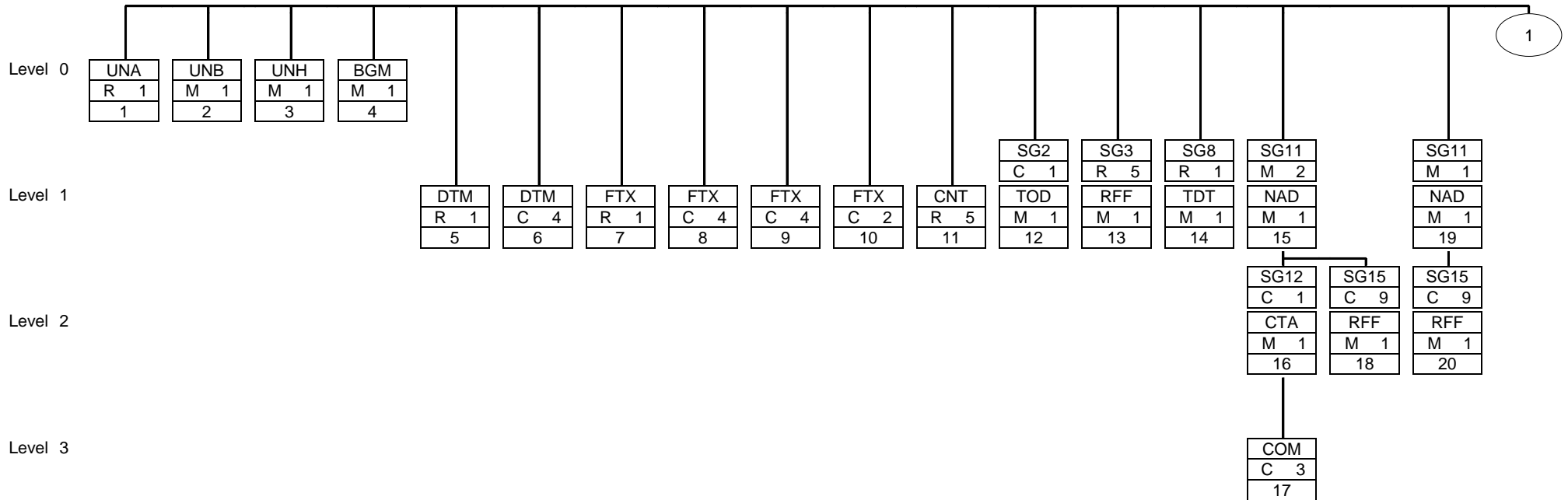
Counter	No	Tag	St	MaxOcc	Level	Content
1070	26	MEA	M	1	2	Measurements
1090		SG21	C	1	2	DIM
1100	27	DIM	M	1	2	Dimensions
1150		SG23	C	999	2	PCI
1160	28	PCI	M	1	2	Package identification
1650		SG37	C	999	1	EQD-EQN
1660	29	EQD	M	1	1	Equipment details
1670	30	EQN	C	1	2	Number of units
2000	31	UNT	M	1	0	Message trailer
0000	32	UNZ	M	1	0	Interchange trailer

Counter = Counter of segment/group within the standard
 No = Consecutive segment number
 MaxOcc = Maximum occurrence of the segment/group

St = Status
 EDIFACT: M=Mandatory, C=Conditional
 User specific: R=Required, O=Optional, D=Dependent,
 A=Advised, N=Not used

BFS (Bring Frigo SE) subset BIG14

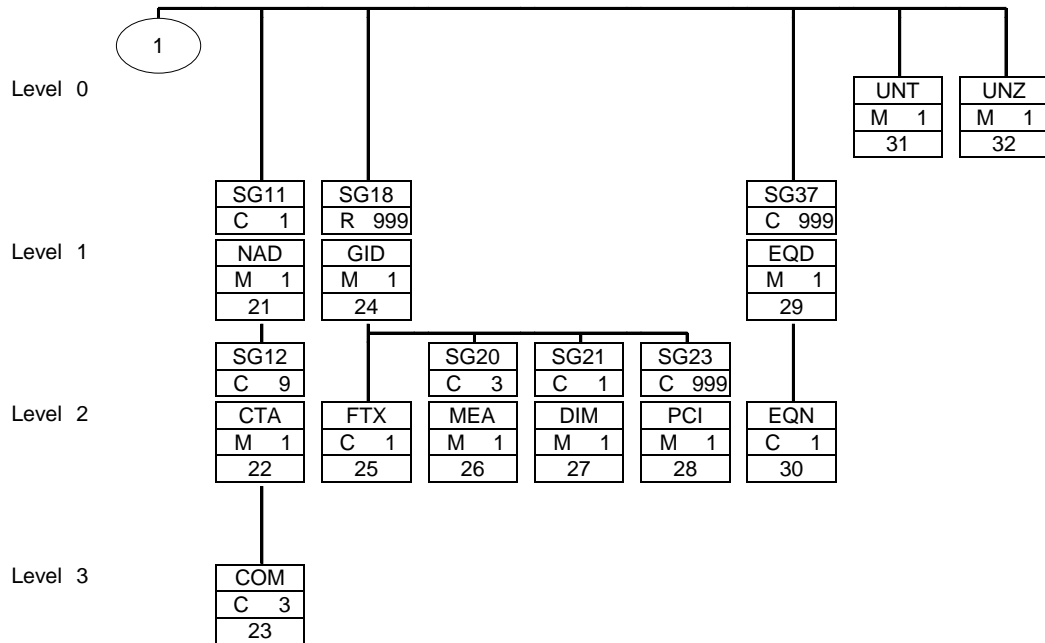
IFTMIN



This is a branching diagram. Every variant of a segment or segment group described in the MIG appears exactly one times. The letters M and R characterise a 'mandatory' application status, whereas O means optional. The letter D is used for 'dependent' and the dependency will be described in comments. The number on the right-hand side explains the maximum occurrence of this segment or segment group. The undermost number is the consecutive number of the segment within the guide.

BFS (Bring Frigo SE) subset BIG14

IFTMIN



This is a branching diagram. Every variant of a segment or segment group described in the MIG appears exactly one times. The letters M and R characterise a 'mandatory' application status, whereas O means optional. The letter D is used for 'dependent' and the dependency will be described in comments. The number on the right-hand side explains the maximum occurrence of this segment or segment group. The undermost number is the consecutive number of the segment within the guide.

BFS (Bring Frigo SE) subset BIG14

IFTMIN

Segment:

UNA

Seq. No.: 1
Status: R

Level: 0
Max. Occ.: 1

Service string advice

Description of segment: The service string advice shall begin with the upper case UNA immediately followed by six characters in the order shown below.

EDIFACT			Application	
Tag	Name	Format	St	Use / Comments
UNA1	Component data element separator	an1	M	: = Component data element separator
UNA2	Data element separator	an1	M	+ = Data element separator
UNA3	Decimal notation	an1	M	. = Decimal notation
UNA4	Release indicator	an1	M	? = release indicator
UNA5	Reserved for future use	an1	M	
UNA6	Segment terminator	an1	M	' = Segment terminator

Comment:

Example:

UNA:+.?'

BFS (Bring Frigo SE) subset BIG14

IFTMIN

Segment: **UNB** Seq. No.: 2 Level: 0 Interchange header
 Status: M Max. Occ.: 1

Description of segment: To identify an interchange.

Notes:

1. S001/0002 shall be 3 to indicate this version of the syntax.
2. The combination of the values carried in data elements S002, S003 and 0020 shall be used to identify uniquely the interchange, for the purpose of acknowledgement.

EDIFACT			Application	
Tag	Name	Format	St	Use / Comments
S001	Syntax identifier		M	
0001	Syntax identifier	a4	M	UNOC = UN/ECE level C
0002	Syntax version number	n1	M	3 = Version 3
S002	Interchange sender		M	
0004	Sender identification	an..35	M	Sender's EDI-ID
0007	Partner identification code qualifier	an..4	C	14 = EAN International ZZ = Mutually agreed with Bring
0008	Address for reverse routing	an..14	N	
S003	Interchange recipient		M	
0010	Recipient identification	an..35	M	Receiver's EDI-ID
0007	Partner identification code qualifier	an..4	C	14 = EAN International
0014	Routing address	an..14	N	
S004	Date/time of preparation		M	
0017	Date of preparation	n6	M	YYMMDD
0019	Time of preparation	n4	M	HHMM
0020	Interchange control reference	an..14	M	Interchange control reference (same as UNZ/0020)
S005	Recipient's reference, password		N	
0022	Recipient's reference/password	an..14	N	
0025	Recipient's reference/password qualifier	an2	N	
0026	Application reference	an..14	C	Name of originating system/application
0029	Processing priority code	a1	N	
0031	Acknowledgement request	n1	C	
0032	Communications agreement ID	an..35	N	
0035	Test indicator	n1	C	1 = Interchange is a test

Comment:

Values are only used as examples and must be replaced by relevant data
 For test files 7393321000006 should be used in S003/0010 - recipient identification

Example:

UNB+UNOC:3+NO0987654321:ZZ+7080003248381:14+101201:1105+1234567890++APPORT++1++1'

BFS (Bring Frigo SE) subset BIG14

IFTMIN

Segment: **UNH** Seq. No.: 3 Level: 0 **Message header**
 Status: M Max. Occ.: 1

Description of segment: A service segment starting and uniquely identifying a message. The message type code for the instruction message is IFTMIN.

EDIFACT			Application	
Tag	Name	Format	St	Use / Comments
0062	Message reference number	an..14	M	Message reference number
S009	Message identifier		M	
0065	Message type	an..6	M	IFTMIN = Instruction message
0052	Message version number	an..3	M	D = Draft version/UN/EDIFACT Directory
0054	Message release number	an..3	M	04A = Release 2004 - A
0051	Controlling agency	an..2	M	UN = UN/CEFACT
0057	Association assigned code	an..6	R	BIG14 = Bring Interchange Group
0068	Common access reference	an..35	N	
S010	Status of the transfer		N	
0070	Sequence of transfers	n..2	N	
0073	First and last transfer	a1	N	

Comment:

Example:

UNH+1234+IFTMIN:D:04A:UN:BIG14'

BFS (Bring Frigo SE) subset BIG14

IFTMIN

Segment: **BGM** Seq. No.: 4 Level: 0 Beginning of message
 Status: M Max. Occ.: 1

Description of segment: A segment to indicate the beginning of a message and to transmit identifying number and type of the message.

EDIFACT			Application	
Tag	Name	Format	St	Use / Comments
C002	Document/message name		C	
1001	Document name code	an..3	R	335 = Booking request 700 = Waybill
1131	Code list identification code	an..17	N	
3055	Code list responsible agency code	an..3	N	
1000	Document name	an..35	N	
C106	Document/message identification		R	
1004	Document identifier	an..35	R	Message identifier
1056	Version identifier	an..9	N	
1060	Revision identifier	an..6	N	
1225	Message function code	an..3	R	1 = Cancellation 5 = Replace 9 = Original
4343	Response type code	an..3	N	

Comment:

Consignment note number/ order number/ booking number/ date-time may be used as message identifier.
 Cancel (5) and replace (1) only to be used for booking request (335)

Example:

BGM+700+70123451234567898+1'

BFS (Bring Frigo SE) subset BIG14

IFTMIN

Segment: **DTM** Seq. No.: 5 Level: 1 Date/time/period
 Status: R Max. Occ.: 1

Description of segment: A segment to indicate a date and time applying to the whole message, e.g., date and time of document issue.

EDIFACT			Application	
Tag	Name	Format	St	Use / Comments
C507	Date/time/period		M	
2005	Date or time or period function code qualifier	an..3	M	137 = Document/message date/time
2380	Date or time or period text	an..35	C	Document date/time
2379	Date or time or period format code	an..3	C	102 = CCYYMMDD 203 = CCYYMMDDHHMM

Comment:

Example:

DTM+137:20100810:102'

BFS (Bring Frigo SE) subset BIG14

IFTMIN

Segment: **DTM** Seq. No.: 6 Level: 1 Date/time/period
 Status: C Max. Occ.: 4

Description of segment: A segment to indicate a date and time applying to the whole message, e.g., date and time of document issue.

EDIFACT			Application	
Tag	Name	Format	St	Use / Comments
C507	Date/time/period		M	
2005	Date or time or period function code qualifier	an..3	M	63 = Delivery date/time, latest 64 = Delivery date/time, earliest 234 = Collection date/time, earliest 235 = Collection date/time, latest
2380	Date or time or period text	an..35	C	Document date/time
2379	Date or time or period format code	an..3	C	102 = CCYYMMDD 203 = CCYYMMDDHHMM

Comment:

If time span is not used, Code 63 should be used for delivery date/time and Code 234 should be used for collection date/time

Example:

DTM+234:20100810:102'

BFS (Bring Frigo SE) subset BIG14

IFTMIN

Segment: **FTX** Seq. No.: 7 Level: 1 **Free text**
 Status: R Max. Occ.: 1

Description of segment: A segment to specify free form or processable supplementary information, such as status of transport, remarks to be printed on the transport documents (where required), consignment remarks, insurance instructions, etc., or any other additional information.

EDIFACT			Application		
Tag	Name	Format	St	Use / Comments	
4451	Text subject code qualifier	an..3	M	PRD = Product information	
4453	Free text function code	an..3	N		
C107	Text reference		N		
4441	Free text description code	an..17	N		
1131	Code list identification code	an..17	N		
3055	Code list responsible agency code	an..3	N		
C108	Text literal		C		
4440	Free text	an..512	C		3050 = Stykkgoods
4440	Free text	an..512	N		
4440	Free text	an..512	N		
4440	Free text	an..512	N		
3453	Language name code	an..3	N		
4447	Free text format code	an..3	N		

Comment:

Example:

FTX+PRD+++3050'

BFS (Bring Frigo SE) subset BIG14

IFTMIN

Segment: **FTX** Seq. No.: 8 Level: 1 Free text
 Status: C Max. Occ.: 4

Description of segment: A segment to specify free form or processable supplementary information, such as status of transport, remarks to be printed on the transport documents (where required), consignment remarks, insurance instructions, etc., or any other additional information.

EDIFACT			Application	
Tag	Name	Format	St	Use / Comments
4451	Text subject code qualifier	an..3	M	SSR = Special service request Additional service codes 0003 = LQ (Limited quantity of dangerous goods) 1073 = Returservice Pickup 1142 = Telephone Notification 1143 = Tidslossning 1157 = Inbärning 1168 = Hämtas på terminal
4453	Free text function code	an..3	N	
C107	Text reference		N	
4441	Free text description code	an..17	N	
1131	Code list identification code	an..17	N	
3055	Code list responsible agency code	an..3	N	
C108	Text literal		C	
4440	Free text	an..512	C	
4440	Free text	an..512	N	
4440	Free text	an..512	N	
4440	Free text	an..512	N	
3453	Language name code	an..3	N	
4447	Free text format code	an..3	N	

Comment:

Segment to be used once for each service.

Example:

FTX+SSR+++1168'

BFS (Bring Frigo SE) subset BIG14

IFTMIN

Segment: **FTX** Seq. No.: 9 Level: 1 Free text
 Status: C Max. Occ.: 4

Description of segment: A segment to specify free form or processable supplementary information, such as status of transport, remarks to be printed on the transport documents (where required), consignment remarks, insurance instructions, etc., or any other additional information.

EDIFACT			Application	
Tag	Name	Format	St	Use / Comments
4451	Text subject code qualifier	an..3	M	TRR = Requested tariff Product code CH02 = Kjölegods, 0C til +2 C CHLL = Kjölegods, 0 til +4C CHSE = Kjölegods, +2 C til +8 C FRZE = Frysegods, -18 C til - 42 C GNCG = General Cargo WARM = Varmegods, over +9 C
4453	Free text function code	an..3	N	
C107	Text reference		N	
4441	Free text description code	an..17	N	
1131	Code list identification code	an..17	N	
3055	Code list responsible agency code	an..3	N	
C108	Text literal		C	
4440	Free text	an..512	C	
4440	Free text	an..512	N	
4440	Free text	an..512	N	
4440	Free text	an..512	N	
3453	Language name code	an..3	N	
4447	Free text format code	an..3	N	

Comment:

Segment to be used once for each service.

Example:

FTX+TRR+++CH02'

BFS (Bring Frigo SE) subset BIG14

IFTMIN

Segment: **FTX** Seq. No.: 10 Level: 1 Free text
 Status: C Max. Occ.: 2

Description of segment: A segment to specify free form or processable supplementary information, such as status of transport, remarks to be printed on the transport documents (where required), consignment remarks, insurance instructions, etc., or any other additional information.

EDIFACT			Application		
Tag	Name	Format	St	Use / Comments	
4451	Text subject code qualifier	an..3	M	DEL = Delivery information SIC = Sender's intructions to carrier	
4453	Free text function code	an..3	N		
C107	Text reference		N		
4441	Free text description code	an..17	N		
1131	Code list identification code	an..17	N		
3055	Code list responsible agency code	an..3	N		
C108	Text literal		C		
4440	Free text	an..512	C		Free text
4440	Free text	an..512	C		
4440	Free text	an..512	C		
4440	Free text	an..512	N		
3453	Language name code	an..3	N		
4447	Free text format code	an..3	N		

Comment:

DEL -Delivery Instruction printed on the waybill/visible in online terminal
 SIC - to be used for Pick Up instructions

Example:

FTX+DEL+++Call 911 before delivery:x:x'

BFS (Bring Frigo SE) subset BIG14

IFTMIN

Segment: **CNT** Seq. No.: 11 Level: 1 Control total
 Status: R Max. Occ.: 5

Description of segment: A segment to specify totals for a consignment.

EDIFACT			Application	
Tag	Name	Format	St	Use / Comments
C270	Control		M	
6069	Control total type code qualifier	an..3	M	7 = Total gross weight 11 = Total number of packages 15 = Total consignment, cube 57 = Total loading metres Z1H = Total number of pallet foot prints
6066	Control total quantity	n..18	M	Quantity
6411	Measurement unit code	an..8	C	DMQ = cubic decimetre KGM = kilogram MTR = metre PCE = pieces UN/ECE recommendation no 20 to be used for other codes

Comment:

Example:

CNT+11:1:PCE'
 CNT+7:40:KGM'
 CNT+15:0,3:DMQ'

BFS (Bring Frigo SE) subset BIG14

IFTMIN

Group: **SG2** Status: C Max. Occ.: 1 TOD
Segment: **TOD** Seq. No.: 12 Level: 1 **Terms of delivery or transport**
 Status: M Max. Occ.: 1

Description of segment: A segment to specify the applicable terms of delivery.

EDIFACT			Application	
Tag	Name	Format	St	Use / Comments
4055	Delivery or transport terms function code	an..3	C	5 = Transport condition CC = Collect PP = Prepaid (by seller) TP = Third party pay
4215	Transport charges payment method code	an..3	C	
C100	Terms of delivery or transport		N	
4053	Delivery or transport terms description code	an..3	N	
1131	Code list identification code	an..17	N	
3055	Code list responsible agency code	an..3	N	
4052	Delivery or transport terms description	an..70	N	
4052	Delivery or transport terms description	an..70	N	

Comment:

Example:
TOD+5+CC'

BFS (Bring Frigo SE) subset BIG14

IFTMIN

Group:	SG3	Status: R	Max. Occ.: 5	RFF
Segment:	RFF	Seq. No.: 13 Status: M	Level: 1 Max. Occ.: 1	Reference

Description of segment: A segment to express a reference which applies to the entire message such as: the document/ message number that is to be updated by this very message (according to data element 1225 Message function code in segment BGM), booking reference, order number, insurance contract, etc.

EDIFACT			Application	
Tag	Name	Format	St	Use / Comments
C506	Reference		M	
1153	Reference code qualifier	an..3	M	ANT = Consignee's reference BN = Booking reference number CMR = Road consignment note number CU = Consignor's reference number IV = Invoice number
1154	Reference identifier	an..70	C	Reference Number
1156	Document line identifier	an..6	N	
4000	Reference version identifier	an..35	N	
1060	Revision identifier	an..6	N	

Comment:

RFF BN is used to identify a reference to a booking
RFF CMR is used for consignment note number (fraktsedelsnummer)
RFF IV is used for Invoice reference

Example:

RFF+CMR:8208053960'

BFS (Bring Frigo SE) subset BIG14

IFTMIN

Group:	SG8	Status: R	Max. Occ.: 1	TDT
Segment:	TDT	Seq. No.: 14	Level: 1	Transport information
		Status: M	Max. Occ.: 1	

Description of segment: A segment to indicate information related to a certain stage of the transport, such as mode, means and carrier.

EDIFACT			Application	
Tag	Name	Format	St	Use / Comments
8051	Transport stage code qualifier	an..3	M	20 = Main-carriage transport
8028	Means of transport journey identifier	an..17	C	Trip-/Journey-/Flight identifier Only used between carriers
C220	Mode of transport		C	Use UN/ECE Recommendation No 19
8067	Transport mode name code	an..3	C	3 = Road transport
8066	Transport mode name	an..17	N	
C001	Transport means		N	
8179	Transport means description code	an..8	N	
1131	Code list identification code	an..17	N	
3055	Code list responsible agency code	an..3	N	
8178	Transport means description	an..17	N	
C040	Carrier		C	For transport only shown codes are valid
3127	Carrier identifier	an..17	C	BFS = Bring Frigo SE
1131	Code list identification code	an..17	C	Not in use
3055	Code list responsible agency code	an..3	C	87 = Assigned by carrier
3128	Carrier name	an..35	N	
8101	Transit direction indicator code	an..3	N	
C401	Excess transportation information		N	
8457	Excess transportation reason code	an..3	N	
8459	Excess transportation responsibility code	an..3	N	
7130	Customer shipment authorisation identifier	an..17	N	
C222	Transport identification		N	
8213	Transport means identification name identifier	an..9	N	
1131	Code list identification code	an..17	N	
3055	Code list responsible agency code	an..3	N	
8212	Transport means identification name	an..35	N	
8453	Transport means nationality code	an..3	N	
8281	Transport means ownership indicator code	an..3	N	

Comment:

Example:

TDT+20++3++BFS::87'

BFS (Bring Frigo SE) subset BIG14

IFTMIN

Group:	SG11	Status: M	Max. Occ.: 2	NAD-SG12-SG15
Segment:	NAD	Seq. No.: 15 Status: M	Level: 1 Max. Occ.: 1	Name and address

Description of segment: A segment to identify the party's name, address, and function.

EDIFACT			Application	
Tag	Name	Format	St	Use / Comments
3035	Party function code qualifier	an..3	M	CZ = Consignor CN = Consignee
C082	Party identification details		C	
3039	Party identifier	an..35	M	Consignor/ Consignee identification number
1131	Code list identification code	an..17	N	
3055	Code list responsible agency code	an..3	C	87 = Assigned by carrier 9 = EAN International
C058	Name and address		N	
3124	Name and address description	an..35	N	
3124	Name and address description	an..35	N	
3124	Name and address description	an..35	N	
3124	Name and address description	an..35	N	
3124	Name and address description	an..35	N	
C080	Party name		R	
3036	Party name	an..35	M	Consignor/Consignee Name
3036	Party name	an..35	C	Additional information
3036	Party name	an..35	N	
3036	Party name	an..35	N	
3036	Party name	an..35	N	
3045	Party name format code	an..3	N	
C059	Street		R	
3042	Street and number or post office box identifier	an..35	M	Consignor/Consignee Street address
3042	Street and number or post office box identifier	an..35	C	To be used for additional information.
3042	Street and number or post office box identifier	an..35	N	
3042	Street and number or post office box identifier	an..35	N	
3164	City name	an..35	R	Consignor/Consignee City Name
C819	Country sub-entity details		C	
3229	Country sub-entity name code	an..9	C	
1131	Code list identification code	an..17	N	
3055	Code list responsible agency code	an..3	N	
3228	Country sub-entity name	an..70	N	
3251	Postal identification code	an..17	R	Consignor/Consignee Postal Code
3207	Country name code	an..3	R	Consignor/Consignee Country Code ISO 3166 2 Alpha to be used

Comment:

Example:

NAD+CZ+234567::87++Testbolaget AB:X+Storgatan 14 A:Vån 4+Helsingborg++25592+SE'
NAD+CN+56789::87++Bolaget Test AB: C/O Ture Test+Lillgatan 1B: Vån 2+Borlänge++78150+SE'

BFS (Bring Frigo SE) subset BIG14

IFTMIN

Group:	SG11	Status: M	Max. Occ.: 2	NAD-SG12-SG15
Group:	SG12	Status: C	Max. Occ.: 1	CTA-COM
Segment:	CTA	Seq. No.: 16 Status: M	Level: 2 Max. Occ.: 1	Contact information

Description of segment: A segment to identify a person or department within a party.

EDIFACT			Application	
Tag	Name	Format	St	Use / Comments
3139	Contact function code	an..3	C	IC = Information contact
C056	Department or employee details		C	
3413	Department or employee name code	an..17	N	
3412	Department or employee name	an..35	C	

Comment:

Example:

CTA+IC+:Kalle'

BFS (Bring Frigo SE) subset BIG14

IFTMIN

Group:	SG11	Status: M	Max. Occ.: 2	NAD-SG12-SG15
Group:	SG12	Status: C	Max. Occ.: 1	CTA-COM
Segment:	COM	Seq. No.: 17 Status: C	Level: 3 Max. Occ.: 3	Communication contact

Description of segment: A segment to identify a communication number of a person or department to whom communication should be directed.

EDIFACT			Application	
Tag	Name	Format	St	Use / Comments
C076	Communication contact		M	
3148	Communication address identifier	an..512	M	Telephone number, Cellular number, E-mail address
3155	Communication address code qualifier	an..3	M	TE = Telephone EM = Electronic mail

Comment:

Telephone number is only accepted in international format (containing + without blanks and dashes, and country number) or national format

Example:

COM+?+4723249852:TE'

BFS (Bring Frigo SE) subset BIG14

IFTMIN

Group:	SG11	Status: M	Max. Occ.: 2	NAD-SG12-SG15
Group:	SG15	Status: C	Max. Occ.: 9	RFF
Segment:	RFF	Seq. No.: 18 Status: M	Level: 2 Max. Occ.: 1	Reference

Description of segment: A segment to identify a reference used by a party.

EDIFACT			Application	
Tag	Name	Format	St	Use / Comments
C506	Reference		M	
1153	Reference code qualifier	an..3	M	ACD = Additional reference information
1154	Reference identifier	an..70	C	Pallet registration number
1156	Document line identifier	an..6	N	
4000	Reference version identifier	an..35	N	
1060	Revision identifier	an..6	N	

Comment:

Pallet registration number mandatory for clients in the 'PÖS' system.

Example:

RFF+ACD:23456'

BFS (Bring Frigo SE) subset BIG14

IFTMIN

Group:	SG11	Status: M	Max. Occ.: 1	NAD-SG15
Segment:	NAD	Seq. No.: 19	Level: 1	Name and address
		Status: M	Max. Occ.: 1	

Description of segment: A segment to identify the party's name, address, and function.

EDIFACT			Application	
Tag	Name	Format	St	Use / Comments
3035	Party function code qualifier	an..3	M	FP = Freight/charges payer
C082	Party identification details		R	
3039	Party identifier	an..35	M	Freight Payer identification number
1131	Code list identification code	an..17	N	
3055	Code list responsible agency code	an..3	C	87 = Assigned by carrier
C058	Name and address		N	
3124	Name and address description	an..35	N	
3124	Name and address description	an..35	N	
3124	Name and address description	an..35	N	
3124	Name and address description	an..35	N	
3124	Name and address description	an..35	N	
C080	Party name		C	
3036	Party name	an..35	M	Freight Party Name
3036	Party name	an..35	N	
3036	Party name	an..35	N	
3036	Party name	an..35	N	
3036	Party name	an..35	N	
3045	Party name format code	an..3	N	
C059	Street		N	
3042	Street and number or post office box identifier	an..35	N	
3042	Street and number or post office box identifier	an..35	N	
3042	Street and number or post office box identifier	an..35	N	
3042	Street and number or post office box identifier	an..35	N	
3164	City name	an..35	N	
C819	Country sub-entity details		N	
3229	Country sub-entity name code	an..9	N	
1131	Code list identification code	an..17	N	
3055	Code list responsible agency code	an..3	N	
3228	Country sub-entity name	an..70	N	
3251	Postal identification code	an..17	N	
3207	Country name code	an..3	N	

Comment:

This segment is mandatory

Example:

NAD+FP+234567::87++Testbolaget AB'

BFS (Bring Frigo SE) subset BIG14

IFTMIN

Group:	SG11	Status: M	Max. Occ.: 1	NAD-SG15
Group:	SG15	Status: C	Max. Occ.: 9	RFF
Segment:	RFF	Seq. No.: 20 Status: M	Level: 2 Max. Occ.: 1	Reference

Description of segment: A segment to identify a reference used by a party.

EDIFACT			Application	
Tag	Name	Format	St	Use / Comments
C506	Reference		M	AHK = Payer's reference number Littra
1153	Reference code qualifier	an..3	M	
1154	Reference identifier	an..70	C	
1156	Document line identifier	an..6	N	
4000	Reference version identifier	an..35	N	
1060	Revision identifier	an..6	N	

Comment:

To be used for Littra (must be agreed with Bring)

Example:

RFF+AHK:34152'

BFS (Bring Frigo SE) subset BIG14

IFTMIN

Group:	SG11	Status: C	Max. Occ.: 1	NAD-SG12
Segment:	NAD	Seq. No.: 21 Status: M	Level: 1 Max. Occ.: 1	Name and address

Description of segment: A segment to identify the party's name, address, and function.

EDIFACT			Application		
Tag	Name	Format	St	Use / Comments	
3035	Party function code qualifier	an..3	M	N1 = Notify party no. 1	
C082	Party identification details		N		
3039	Party identifier	an..35	N		
1131	Code list identification code	an..17	N		
3055	Code list responsible agency code	an..3	N		
C058	Name and address		N		
3124	Name and address description	an..35	N		
3124	Name and address description	an..35	N		
3124	Name and address description	an..35	N		
3124	Name and address description	an..35	N		
3124	Name and address description	an..35	N		
C080	Party name		C		
3036	Party name	an..35	R		Party Name
3036	Party name	an..35	N		
3036	Party name	an..35	N		
3036	Party name	an..35	N		
3036	Party name	an..35	N		
3045	Party name format code	an..3	N		
C059	Street		N		
3042	Street and number or post office box identifier	an..35	N		
3042	Street and number or post office box identifier	an..35	N		
3042	Street and number or post office box identifier	an..35	N		
3042	Street and number or post office box identifier	an..35	N		
3164	City name	an..35	N		
C819	Country sub-entity details		N		
3229	Country sub-entity name code	an..9	N		
1131	Code list identification code	an..17	N		
3055	Code list responsible agency code	an..3	N		
3228	Country sub-entity name	an..70	N		
3251	Postal identification code	an..17	N		
3207	Country name code	an..3	N		

Comment:

N1 is used to send notification/arrival message to party other than consignee/delivery party. Must be followed by CTA and COM segments to supply contact information.

Example:

NAD+N1+++Testbolaget depå'

BFS (Bring Frigo SE) subset BIG14

IFTMIN

Group:	SG11	Status: C	Max. Occ.: 1	NAD-SG12
Group:	SG12	Status: C	Max. Occ.: 9	CTA-COM
Segment:	CTA	Seq. No.: 22 Status: M	Level: 2 Max. Occ.: 1	Contact information

Description of segment: A segment to identify a person or department within a party.

EDIFACT			Application	
Tag	Name	Format	St	Use / Comments
3139	Contact function code	an..3	C	IC = Information contact
C056	Department or employee details		N	
3413	Department or employee name code	an..17	N	
3412	Department or employee name	an..35	N	

Comment:

Example:

CTA+IC'

BFS (Bring Frigo SE) subset BIG14

IFTMIN

Group:	SG11	Status: C	Max. Occ.: 1	NAD-SG12
Group:	SG12	Status: C	Max. Occ.: 9	CTA-COM
Segment:	COM	Seq. No.: 23 Status: C	Level: 3 Max. Occ.: 3	Communication contact

Description of segment: A segment to identify a communication number of a person or department to whom communication should be directed.

EDIFACT			Application	
Tag	Name	Format	St	Use / Comments
C076	Communication contact		M	
3148	Communication address identifier	an..512	M	Telephone number
3155	Communication address code qualifier	an..3	M	TE = Telephone

Comment:

Telephone number is only accepted in international format (containing + without blanks and dashes, and country number) or national format

Example:

COM+?+4642178080:TE'

BFS (Bring Frigo SE) subset BIG14

IFTMIN

Group: **SG18** Status: R Max. Occ.: 999 GID-FTX-SG20-SG21-SG23

Segment: **GID** Seq. No.: 24 Level: 1 **Goods item details**
Status: M Max. Occ.: 1

Description of segment: A segment to identify a goods item for which transport is undertaken. A goods item can be identified by up to three levels of packaging.

EDIFACT			Application	
Tag	Name	Format	St	Use / Comments
1496	Goods item number	n..5	C	Consignment- or customs line number (sequential)
C213	Number and type of packages		C	
7224	Package quantity	n..8	C	Quantity
7065	Package type description code	an..17	C	200 = Pallet ISO 0 - 1/2 EURO Pallet (EAN Code) - Halvpall 201 = Pallet ISO 1 - 1/1 EURO Pallet (EAN Code) - Euro pall hög, inte staplingsbar 202 = Pallet ISO 2 (EAN Code) - Importpall, Sjöpall CN = Container, not otherwise specified as transport equipment - Container CT = Carton - Package CW = Cage, roll - Rullbur DR = Drum - Fat ED = Case, with pallet base - Palletainer PA = Package - används för special transportupplägg BFS PB = Pallet, box - Plastkar PP = Styck - Tom pallar, SRS-backar RK = Rack - Häck TY = Tank, cylindrical Z1G = Euro pall låg (staplingsbar) Z1L = KPV (Kund Packad Vagn) Z1N = Kvartspall - används mot Posten SE Z1Q = Tomgods - används av Bring Frigo för returer av tomma lastbärare
1131	Code list identification code	an..17	N	
3055	Code list responsible agency code	an..3	N	
7064	Type of packages	an..35	N	
7233	Packaging related description code	an..3	N	
C213	Number and type of packages		N	
7224	Package quantity	n..8	N	
7065	Package type description code	an..17	N	
1131	Code list identification code	an..17	N	
3055	Code list responsible agency code	an..3	N	
7064	Type of packages	an..35	N	
7233	Packaging related description code	an..3	N	
C213	Number and type of packages		N	
7224	Package quantity	n..8	N	
7065	Package type description code	an..17	N	
1131	Code list identification code	an..17	N	
3055	Code list responsible agency code	an..3	N	
7064	Type of packages	an..35	N	

BFS (Bring Frigo SE) subset BIG14

IFTMIN

EDIFACT			Application	
Tag	Name	Format	St	Use / Comments
7233	Packaging related description code	an..3	N	
C213	Number and type of packages		N	
7224	Package quantity	n..8	N	
7065	Package type description code	an..17	N	
1131	Code list identification code	an..17	N	
3055	Code list responsible agency code	an..3	N	
7064	Type of packages	an..35	N	
7233	Packaging related description code	an..3	N	
C213	Number and type of packages		N	
7224	Package quantity	n..8	N	
7065	Package type description code	an..17	N	
1131	Code list identification code	an..17	N	
3055	Code list responsible agency code	an..3	N	
7064	Type of packages	an..35	N	
7233	Packaging related description code	an..3	N	

Comment:

Example:

GID+1+1:201'

BFS (Bring Frigo SE) subset BIG14

IFTMIN

Group: **SG18** Status: R Max. Occ.: 999 GID-FTX-SG20-SG21-SG23

Segment: **FTX** Seq. No.: 25 Level: 2 **Free text**
 Status: C Max. Occ.: 1

Description of segment: A segment to specify processable supplementary information relating to the goods item.

EDIFACT			Application		
Tag	Name	Format	St	Use / Comments	
4451	Text subject code qualifier	an..3	M	AAA = Goods description	
4453	Free text function code	an..3	N		
C107	Text reference		N		
4441	Free text description code	an..17	N		
1131	Code list identification code	an..17	N		
3055	Code list responsible agency code	an..3	N		
C108	Text literal		C		
4440	Free text	an..512	C		Goods description
4440	Free text	an..512	N		
4440	Free text	an..512	N		
4440	Free text	an..512	N		
3453	Language name code	an..3	N		
4447	Free text format code	an..3	N		

Comment:

Example:

FTX+AAA+++Livsmedel'

BFS (Bring Frigo SE) subset BIG14

IFTMIN

Group:	SG18	Status: R	Max. Occ.: 999	GID-FTX-SG20-SG21-SG23
Group:	SG20	Status: C	Max. Occ.: 3	MEA
Segment:	MEA	Seq. No.: 26 Status: M	Level: 2 Max. Occ.: 1	Measurements

Description of segment: A segment to specify measurements, other than dimensions, applicable to a goods item.

EDIFACT			Application	
Tag	Name	Format	St	Use / Comments
6311	Measurement purpose code qualifier	an..3	M	LMT = Loading meters VOL = Volume WT = Weights
C502	Measurement details		C	
6313	Measured attribute code	an..3	C	
6321	Measurement significance code	an..3	N	AAW = Gross volume ACV = Loading meters G = Gross weight
6155	Non-discrete measurement name code	an..17	N	
6154	Non-discrete measurement name	an..70	N	
C174	Value/range		C	KGM = kilogram MTQ = cubic metre MTR = metre
6411	Measurement unit code	an..8	M	
6314	Measure	an..18	C	
6162	Range minimum quantity	n..18	N	Value/quantity
6152	Range maximum quantity	n..18	N	
6432	Significant digits quantity	n..2	N	
7383	Surface or layer code	an..3	N	

Comment:

Only Gross weight and/or Gross Volume is valid for transport purpose

Example:

MEA+WT+AAW+KGM:40'
 MEA+VOL+AAW+DMQ:96'
 MEA+WT+G+KGM:1.5''

BFS (Bring Frigo SE) subset BIG14

IFTMIN

Group: **SG18** Status: R Max. Occ.: 999 GID-FTX-SG20-SG21-SG23

Group: **SG21** Status: C Max. Occ.: 1 DIM

Segment: **DIM** Seq. No.: 27 Level: 2 **Dimensions**
 Status: M Max. Occ.: 1

Description of segment: To specify dimensions applicable to a goods item.

EDIFACT			Application	
Tag	Name	Format	St	Use / Comments
6145	Dimension type code qualifier	an..3	M	2 = Package dimensions (including goods)
C211	Dimensions		M	
6411	Measurement unit code	an..8	M	MTR = metre
6168	Length measure	n..15	C	Length
6140	Width measure	n..15	C	Width
6008	Height measure	n..15	C	Height

Comment:

Example:

DIM+2+MTR:0.6:0.5:1'

BFS (Bring Frigo SE) subset BIG14

IFTMIN

Group: **SG18** Status: R Max. Occ.: 999 GID-FTX-SG20-SG21-SG23

Group: **SG23** Status: C Max. Occ.: 999 PCI

Segment: **PCI** Seq. No.: 28 Level: 2 **Package identification**
 Status: M Max. Occ.: 1

Description of segment: A segment to specify marks and numbers of a goods item.

EDIFACT			Application	
Tag	Name	Format	St	Use / Comments
4233	Marking instructions code	an..3	C	30 = Mark serial shipping container code UCC/EAN-128 SSCC (Serial shipping container code)
C210	Marks & labels		C	
7102	Shipping marks description	an..35	M	Package identification AI should not be a part of SSCC
7102	Shipping marks description	an..35	N	
7102	Shipping marks description	an..35	N	
7102	Shipping marks description	an..35	N	
7102	Shipping marks description	an..35	N	
7102	Shipping marks description	an..35	N	
7102	Shipping marks description	an..35	N	
7102	Shipping marks description	an..35	N	
7102	Shipping marks description	an..35	N	
7102	Shipping marks description	an..35	N	
8275	Container or package contents indicator code	an..3	N	
C827	Type of marking		N	
7511	Marking type code	an..3	N	
1131	Code list identification code	an..17	N	
3055	Code list responsible agency code	an..3	N	

Comment:

Example:

PCI+30+37040460000010750'

BFS (Bring Frigo SE) subset BIG14

IFTMIN

Group: **SG37** Status: C Max. Occ.: 999 EQD-EQN

Segment: **EQD** Seq. No.: 29 Level: 1 **Equipment details**
 Status: M Max. Occ.: 1

Description of segment: A segment to specify equipment, and equipment size and type used in the transport.

EDIFACT			Application	
Tag	Name	Format	St	Use / Comments
8053	Equipment type code qualifier	an..3	M	EFP = Exchangeable EUR flat pallet
C237	Equipment identification		N	
8260	Equipment identifier	an..17	N	
1131	Code list identification code	an..17	N	
3055	Code list responsible agency code	an..3	N	
3207	Country name code	an..3	N	
C224	Equipment size and type		N	
8155	Equipment size and type description code	an..10	N	
1131	Code list identification code	an..17	N	
3055	Code list responsible agency code	an..3	N	
8154	Equipment size and type description	an..35	N	
8077	Equipment supplier code	an..3	N	
8249	Equipment status code	an..3	N	
8169	Full or empty indicator code	an..3	N	

Comment:

Indicates exchangeable pallets (EUR)

Example:

EQD+EFP'

BFS (Bring Frigo SE) subset BIG14

IFTMIN

Group: **SG37** Status: C Max. Occ.: 999 EQD-EQN
Segment: **EQN** Seq. No.: 30 Level: 2 **Number of units**
 Status: C Max. Occ.: 1

Description of segment: A segment to specify number of pieces of equipment required.

EDIFACT			Application	
Tag	Name	Format	St	Use / Comments
C523	Number of unit details		M	
6350	Units quantity	n..15	C	Number of pallets
6353	Unit type code qualifier	an..3	N	

Comment:
Total number of exchangeable pallets

Example:
EQN+9'

BFS (Bring Frigo SE) subset BIG14

IFTMIN

Segment: **UNT** Seq. No.: 31 Level: 0 **Message trailer**
 Status: M Max. Occ.: 1

Description of segment: A service segment ending a message, giving the total number of segments in the message (including the UNH & UNT) and the control reference number of the message.

EDIFACT			Application	
Tag	Name	Format	St	Use / Comments
0074	Number of segments in the message	n..6	M	Number of segments in the message
0062	Message reference number	an..14	M	Message reference number

Comment:

Example:

UNT+29+1234'

BFS (Bring Frigo SE) subset BIG14

IFTMIN

Segment: **UNZ** Seq. No.: 32 Level: 0 **Interchange trailer**
 Status: M Max. Occ.: 1

Description of segment: To end and check the completeness of an interchange.

EDIFACT			Application	
Tag	Name	Format	St	Use / Comments
0036	Interchange control count	n..6	M	Number of interchanges
0020	Interchange control reference	an..14	M	Interchange control reference

Comment:

Example:

UNZ+1+1234567890'

BFS (Bring Frigo SE) subset BIG14

IFTMIN

Example message

No.	Tag	Example
01	UNA	UNA:+. ? ' '
02	UNB	UNB+UNOC:3+NO0987654321:ZZ+7080003248381:14+101201:1105+1234567890++APPORT++1++1 ' '
03	UNH	UNH+1234+IFTMIN:D:04A:UN:BIG14 ' '
04	BGM	BGM+700+70123451234567898+1 ' '
05	DTM	DTM+137:20100810:102 ' '
06	DTM	DTM+234:20100810:102 ' '
07	FTX	FTX+PRD+++3050 ' '
08	FTX	FTX+SSR+++1168 ' '
09	FTX	FTX+TRR+++CH02 ' '
10	FTX	FTX+DEL+++Call 911 before delivery:x:x ' '
11	CNT	CNT+11:1:PCE ' ' CNT+7:40:KGM ' ' CNT+15:0,3:DMQ ' '
SG2		
12	TOD	TOD+5+CC ' '
SG3		
13	RFF	RFF+CMR:8208053960 ' '
SG8		
14	TDT	TDT+20++3++BFS::87 ' '
SG11		
15	NAD	NAD+CZ+234567::87++Testbolaget AB:X+Storgatan 14 A:Vån 4+Helsingborg++25592+SE ' ' NAD+CN+56789::87++Bolaget Test AB: C/O Ture Test+Lillgatan 1B:Vån 2+Borlänge++78150+SE ' '
SG12		
16	CTA	CTA+IC+:Kalle ' '
17	COM	COM+?+4723249852:TE ' '
SG15		
18	RFF	RFF+ACD:23456 ' '
SG11		
19	NAD	NAD+FP+234567::87++Testbolaget AB ' '
SG15		
20	RFF	RFF+AHK:34152 ' '
SG11		
21	NAD	NAD+N1+++Testbolaget depå ' '
SG12		
22	CTA	CTA+IC ' '
23	COM	COM+?+4642178080:TE ' '

BFS (Bring Frigo SE) subset BIG14

IFTMIN

Example message

No.	Tag	Example
	SG18	
24	GID	GID+1+1:201'
25	FTX	FTX+AAA+++Livsmedel'
	SG20	
26	MEA	MEA+WT+AAW+KGM:40' MEA+VOL+AAW+DMQ:96' MEA+WT+G+KGM:1.5''
	SG21	
27	DIM	DIM+2+MTR:0.6:0.5:1'
	SG23	
28	PCI	PCI+30+370404600000010750'
	SG37	
29	EQD	EQD+EFP'
30	EQN	EQN+9'
31	UNT	UNT+29+1234'
32	UNZ	UNZ+1+1234567890'