



Message Implementation Guideline

BIG14

based on

IFTMIN

Instruction message

Bring IFTMIN

Version: 1
Variant: 5
Issue date: 2017-08-09
Author: Bo Herold

1 Message Structure	4
2 Branching Diagram	7
3 Segments	11
4 Example	81

Change Log BIG 14

Date	Version	Comments
2013-02-19	Version 1_2	Information concerning Dangerous Goods added
2013-05-06	Version 1_3	GIN (SG 23) added for linking Purchase Order Number to Package id (SSCC)
2014-02-04	Version 1_4	BGM: 1001(Document name code) Code 264 deleted
		TDT : 3127, code BDD,BDF,BDS added
		MEA: 6313, code AAL (net weight) added
		DGS: Example changed
2014-09-03	Version 1_5	CNT – ZDG, points Dangerous Goods added TOD+5 Comment added: To be used for domestic traffic TOD+6 Comment added: To be used for international traffic LOC: 3224 example changed Bergen to Drammen
2014-10-27	Version 1_5	MOA obligatoriskt för postoppkrav, tilläggstjänst 2000 Tilläggstjänst 1178 och 1179 adderade Kontroll av att party name finns för NAD+PW, DP,N1 och ZRR – och inte för NAD+NI
2015-03-04	Version 1_5	Värde '0' lagt till i 0035 (test indicator) UNB id för test Bring Frigo SE 7393321000006
2015-10-21	Version 1_5	TDT:3127, code BID and TIE added
2015-10-28	Version 1_5	RFF: 1153, Code AFM (for bulk reference) added
2016-02-04	Version 1_5	MEA: 6411 Code LTR (for dangerous goods) added
2016-02-26	Version 1_5	Max rep = 4 for SG20 (MEA) removed
2016-03-21	Version 1_5	SG34 enabled for dangerous goods, weight and volume
2016-04-21	Version 1_5	Code 3586 added in FTX+PRD for 'tomgods'
2017-02-23	Version 1_5	Example added NAD+FP for Franking Machine
2017-02-23	Version 1_5	Gr 3: RFF:1153 code XC added for Goods number
2017-03-02	Version 1_5	Occurrence for SG32:FTX changed to 2
2017-03-02	Version 1_5	SG34 moved to level below SG32
2017-04-19	Version 1_5	SG32/C205/8078 status changed to conditional
2017-04-25	Version 1_5	SG32/C205 status changed to required
2017-04-25	Version 1_5	SG32/FTX segment added for Total number of Points (Dangerous goods)
2017-04-25	Version 1_5	SG32/DGS/8364 example changed to (E)
2017-05-19	Version 1_5	SG32/FTX corrected to allow qualifier AAC only once
2017-05-19	Version 1_5	SG34/MEA measured attribute code AAW, unit codes DMQ and MTQ removed. Allowed once with net weight or liters
2017-08-09	Version 1_5	SG8/TSR new code BVS added. Note changed in NAD+CZ/CN: ID is no longer required but must be entered in NAD+FP

Structure / Table of Contents

Counter	No	Tag	St	MaxOcc	Level	Content
0000	1	UNA	R	1	0	Service string advice
0000	2	UNB	M	1	0	Interchange header
0010	3	UNH	M	1	0	Message header
0020	4	BGM	M	1	0	Beginning of message
0030	5	CTA	C	1	0	Contact information
0040	6	COM	C	3	1	Communication contact
0050	7	DTM	R	1	1	Date/time/period
0050	8	DTM	C	4	1	Date/time/period
0080	9	MOA	C	2	1	Monetary amount
0090	10	FTX	R	1	1	Free text
0090	11	FTX	C	99	1	Free text
0090	12	FTX	C	1	1	Free text
0090	13	FTX	C	5	1	Free text
0090	14	FTX	C	1	1	Free text
0100	15	CNT	R	6	1	Control total
0120	16	GDS	C	1	1	Nature of cargo
0160		SG2	C	1	1	TOD
0170	17	TOD	M	1	1	Terms of delivery or transport
0160		SG2	C	1	1	TOD-LOC
0170	18	TOD	M	1	1	Terms of delivery or transport
0180	19	LOC	C	1	2	Place/location identification
0190		SG3	C	17	1	RFF
0200	20	RFF	M	1	1	Reference
0190		SG3	C	2	1	RFF-DTM
0200	21	RFF	M	1	1	Reference
0210	22	DTM	C	9	2	Date/time/period
0470		SG8	R	1	1	TDT-TSR-SG9
0480	23	TDT	M	1	1	Transport information
0500	24	TSR	C	3	2	Transport service requirements
0510		SG9	C	1	2	LOC
0520	25	LOC	M	1	2	Place/location identification
0570		SG11	M	2	1	NAD-LOC-SG12-SG12-SG15
0580	26	NAD	M	1	1	Name and address
0590	27	LOC	C	9	2	Place/location identification
0610		SG12	C	9	2	CTA-COM
0620	28	CTA	M	1	2	Contact information
0630	29	COM	C	9	3	Communication contact
0610		SG12	C	9	2	CTA-COM

Counter = Counter of segment/group within the standard
 No = Consecutive segment number
 MaxOcc = Maximum occurrence of the segment/group

St = Status
 EDIFACT: M=Mandatory, C=Conditional
 User specific: R=Required, O=Optional, D=Dependent,
 A=Advised, N=Not used

Counter	No	Tag	St	MaxOcc	Level	Content
0620	30	CTA	M	1	2	Contact information
0630	31	COM	C	9	3	Communication contact
0750		SG15	C	9	2	RFF
0760	32	RFF	M	1	2	Reference
0570		SG11	M	1	1	NAD-LOC-SG12
0580	33	NAD	M	1	1	Name and address
0590	34	LOC	C	9	2	Place/location identification
0610		SG12	C	9	2	CTA-COM
0620	35	CTA	M	1	2	Contact information
0630	36	COM	C	9	3	Communication contact
0570		SG11	C	5	1	NAD-SG12
0580	37	NAD	M	1	1	Name and address
0610		SG12	C	9	2	CTA-COM
0620	38	CTA	M	1	2	Contact information
0630	39	COM	C	9	3	Communication contact
0570		SG11	C	1	1	NAD-SG15
0580	40	NAD	M	1	1	Name and address
0750		SG15	C	9	2	RFF
0760	41	RFF	R	1	2	Reference
0900		SG18	R	999	1	GID-TMP-RNG-MOA-PIA-PIA-FTX-FTX-SG20-SG21-SG22-SG22-SG23-SG32
0910	42	GID	M	1	1	Goods item details
0930	43	TMP	C	1	2	Temperature
0940	44	RNG	C	1	2	Range details
0970	45	MOA	C	9	2	Monetary amount
0980	46	PIA	C	1	2	Additional product id
0980	47	PIA	C	2	2	Additional product id
0990	48	FTX	C	1	2	Free text
0990	49	FTX	C	1	2	Free text
1060		SG20	C	99	2	MEA
1070	50	MEA	M	1	2	Measurements
1090		SG21	C	1	2	DIM
1100	51	DIM	M	1	2	Dimensions
1120		SG22	C	3	2	RFF
1130	52	RFF	M	1	2	Reference
1120		SG22	C	1	2	RFF
1130	53	RFF	M	1	2	Reference
1150		SG23	C	999	2	PCI-RFF-GIN
1160	54	PCI	M	1	2	Package identification

Counter = Counter of segment/group within the standard
 No = Consecutive segment number
 MaxOcc = Maximum occurrence of the segment/group

St = Status
 EDIFACT: M=Mandatory, C=Conditional
 User specific: R=Required, O=Optional, D=Dependent,
 A=Advised, N=Not used

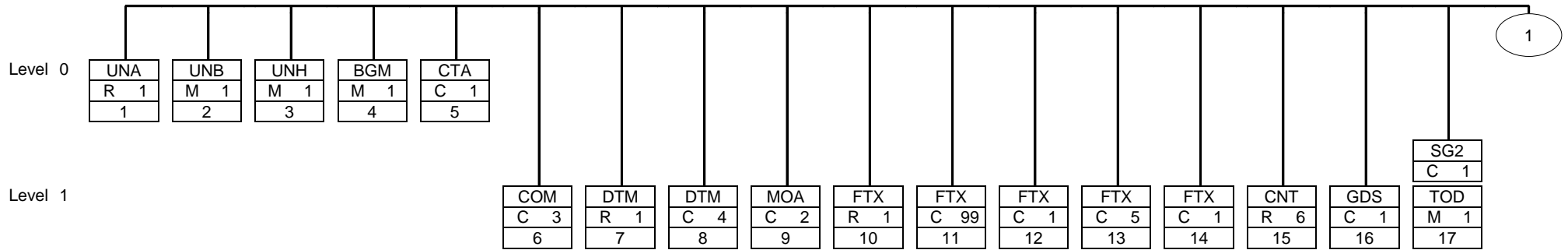
Counter	No	Tag	St	MaxOcc	Level	Content	
	1170	55	RFF	C	1	3	Reference
	1190	56	GIN	C	1	3	Goods identity number
	1510		SG32	C	99	2	DGS-FTX-FTX-SG34
	1520	57	DGS	M	1	2	Dangerous goods
	1530	58	FTX	C	1	3	Free text
	1530	59	FTX	C	1	3	Free text
	1540		SG34	C	1	3	MEA
	1550	60	MEA	C	1	3	Measurements
	1650		SG37	C	2	1	EQD-EQN
	1660	61	EQD	M	1	1	Equipment details
	1670	62	EQN	C	1	2	Number of units
	2000	63	UNT	M	1	0	Message trailer
	0000	64	UNZ	M	1	0	Interchange trailer

Counter = Counter of segment/group within the standard
 No = Consecutive segment number
 MaxOcc = Maximum occurrence of the segment/group

St = Status
 EDIFACT: M=Mandatory, C=Conditional
 User specific: R=Required, O=Optional, D=Dependent,
 A=Advised, N=Not used

BIG14

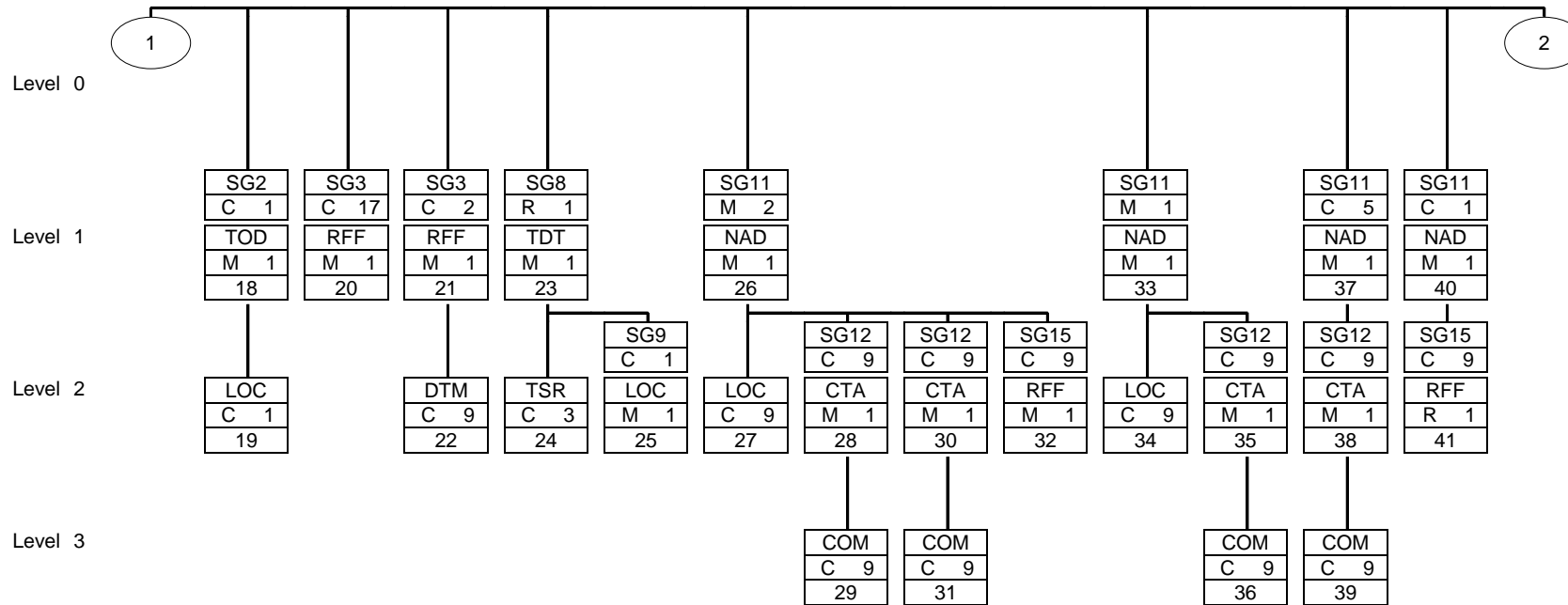
IFTMIN



This is a branching diagram. Every variant of a segment or segment group described in the MIG appears exactly one times. The letters M and R characterise a 'mandatory' application status, whereas O means optional. The letter D is used for 'dependent' and the dependency will be described in comments. The number on the right-hand side explains the maximum occurrence of this segment or segment group. The undermost number is the consecutive number of the segment within the guide.

BIG14

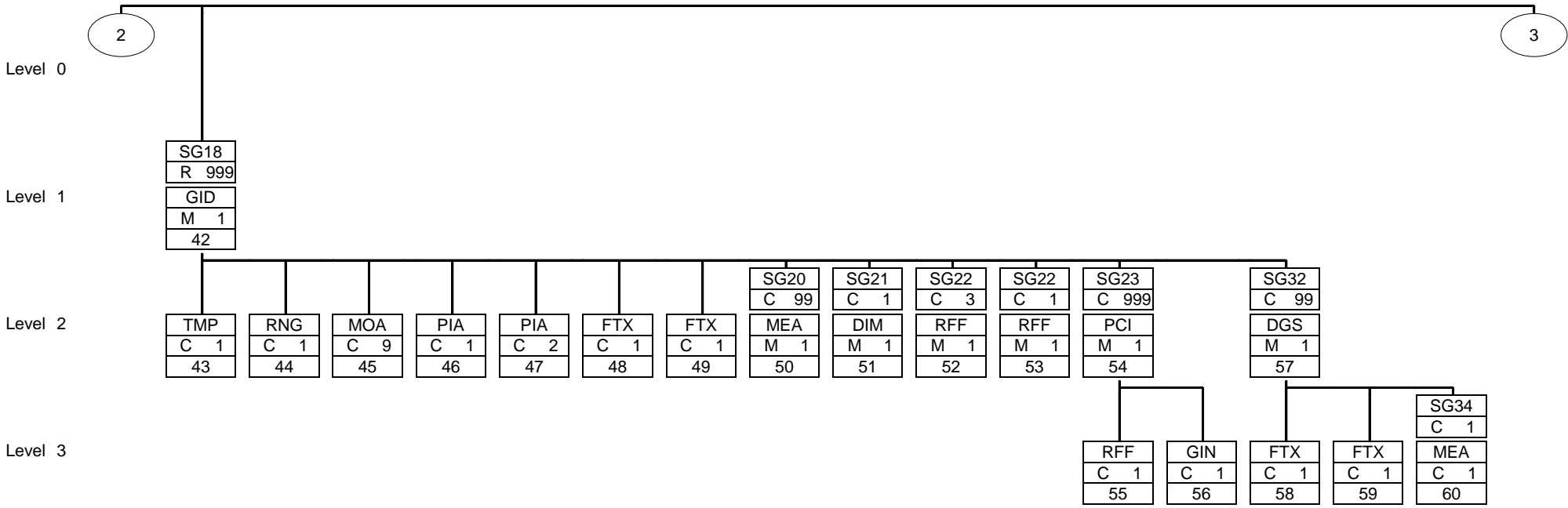
IFTMIN



This is a branching diagram. Every variant of a segment or segment group described in the MIG appears exactly one times. The letters M and R characterise a 'mandatory' application status, whereas O means optional. The letter D is used for 'dependent' and the dependency will be described in comments. The number on the right-hand side explains the maximum occurrence of this segment or segment group. The undermost number is the consecutive number of the segment within the guide.

BIG14

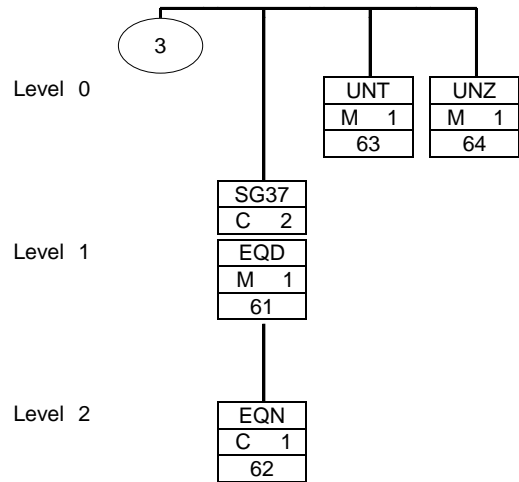
IFTMIN



This is a branching diagram. Every variant of a segment or segment group described in the MIG appears exactly one times. The letters M and R characterise a 'mandatory' application status, whereas O means optional. The letter D is used for 'dependent' and the dependency will be described in comments. The number on the right-hand side explains the maximum occurrence of this segment or segment group. The undermost number is the consecutive number of the segment within the guide.

BIG14

IFTMIN



This is a branching diagram. Every variant of a segment or segment group described in the MIG appears exactly one times. The letters M and R characterise a 'mandatory' application status, whereas O means optional. The letter D is used for 'dependent' and the dependency will be described in comments. The number on the right-hand side explains the maximum occurrence of this segment or segment group. The undermost number is the consecutive number of the segment within the guide.

BIG14

IFTMIN

Segment:

UNA

Seq. No.: 1
Status: R

Level: 0
Max. Occ.: 1

Service string advice

Description of segment: The service string advice shall begin with the upper case UNA immediately followed by six characters in the order shown below.

EDIFACT			Application	
Tag	Name	Format	St	Use / Comments
UNA1	Component data element separator	an1	M	: = Component data element separator
UNA2	Data element separator	an1	M	+ = Data element separator
UNA3	Decimal notation	an1	M	Decimal mark may be . (point) or , (comma) . = Decimal notation
UNA4	Release indicator	an1	M	? = Release indicator
UNA5	Reserved for future use	an1	M	
UNA6	Segment terminator	an1	M	' = Segment terminator

Comment:

Example:

UNA:+.? '
UNA:+,? '

BIG14

IFTMIN

Segment: **UNB** Seq. No.: 2 Level: 0 Interchange header
 Status: M Max. Occ.: 1

Description of segment: To identify an interchange.

Notes:

1. S001/0002 shall be 3 to indicate this version of the syntax.
2. The combination of the values carried in data elements S002, S003 and 0020 shall be used to identify uniquely the interchange, for the purpose of acknowledgement.

EDIFACT			Application	
Tag	Name	Format	St	Use / Comments
S001	Syntax identifier		M	
0001	Syntax identifier	a4	M	UNOC = UN/ECE level C
0002	Syntax version number	n1	M	3 = Version 3
S002	Interchange sender		M	
0004	Sender identification	an..35	M	Sender's EDI-ID
0007	Partner identification code qualifier	an..4	C	30 = ISO 6523: Organization identification 14 = EAN International ZZZ = Mutually agreed with Bring
0008	Address for reverse routing	an..14	N	
S003	Interchange recipient		M	
0010	Recipient identification	an..35	M	Receiver's EDI-ID
0007	Partner identification code qualifier	an..4	C	14 = EAN International 30 = ISO 6523: Organization identification
0014	Routing address	an..14	N	
S004	Date/time of preparation		M	
0017	Date of preparation	n6	M	Date of preparation, format YYMMDD
0019	Time of preparation	n4	M	Time of preparation, format HHMM
0020	Interchange control reference	an..14	M	Interchange control reference (same as UNZ/0020)
S005	Recipient's reference, password		N	
0022	Recipient's reference/password	an..14	N	
0025	Recipient's reference/password qualifier	an2	N	
0026	Application reference	an..14	C	Name of originating system/application
0029	Processing priority code	a1	N	
0031	Acknowledgement request	n1	C	1 = Acknowledgement requested
0032	Communications agreement ID	an..35	N	
0035	Test indicator	n1	C	1 = Interchange is a test

Comment:

Values are only used as examples and must be replaced by relevant data
 For test files to Bring Frigo SE use 7393321000006 in S003/0010 recipient identification

Example:

UNB+UNOC:3+NO0987654321:30+7080003248381:14+101201:1105+1234567890++CONSIGNOR++1++1'

BIG14

IFTMIN

Segment: **UNH** Seq. No.: 3 Level: 0 **Message header**
 Status: M Max. Occ.: 1

Description of segment: A service segment starting and uniquely identifying a message. The message type code for the instruction message is IFTMIN.

EDIFACT			Application	
Tag	Name	Format	St	Use / Comments
0062	Message reference number	an..14	M	Message reference number
S009	Message identifier		M	
0065	Message type	an..6	M	IFTMIN = Instruction message
0052	Message version number	an..3	M	D = Draft version/UN/EDIFACT Directory
0054	Message release number	an..3	M	04A = Release 2004 - A
0051	Controlling agency	an..2	M	UN = UN/CEFACT
0057	Association assigned code	an..6	R	BIG14 = Bring Interchange Group
0068	Common access reference	an..35	N	
S010	Status of the transfer		N	
0070	Sequence of transfers	n..2	N	
0073	First and last transfer	a1	N	

Comment:

Example:

UNH+1234+IFTMIN:D:04A:UN:BIG14'

BIG14

IFTMIN

Segment: **BGM** Seq. No.: 4 Level: 0 Beginning of message
 Status: M Max. Occ.: 1

Description of segment: A segment to indicate the beginning of a message and to transmit identifying number and type of the message.

EDIFACT			Application	
Tag	Name	Format	St	Use / Comments
C002	Document/message name		C	
1001	Document name code	an..3	R	171 = Pick-Up notice 264 = Transport Equipment movement instruction 335 = Booking request 610 = Forwarding instructions 700 = Waybill 705 = Bill of lading 730 = Road consignment note 740 = Air waybill
1131	Code list identification code	an..17	N	
3055	Code list responsible agency code	an..3	N	
1000	Document name	an..35	N	
C106	Document/message identification		R	
1004	Document identifier	an..35	R	Message identifier
1056	Version identifier	an..9	N	
1060	Revision identifier	an..6	N	
1225	Message function code	an..3	R	1 = Cancellation 5 = Replace 9 = Original
4343	Response type code	an..3	N	

Comment:

Use of replace and cancellation is allowed to Bring Parcels provided that the package has not yet been scanned. For other Bring Companies the use of replace and cancellation must be agreed in advance.
 Consignment note number/ order number/ booking number/ date-time may be used as message identifier.
 Code 264 only used by BFS (Bring Frigo SE) for transport instruction containing transport equipment as empty pallets
 Code 335 only used by BFS (Bring Frigo SE) for booking request
 Code 171 used for Pick-Up Bring Cargo

Example:

BGM+610+70123451234567898+1'

BIG14

IFTMIN

Segment:

CTA

Seq. No.: 5
Status: C

Level: 0
Max. Occ.: 1

Contact information

Description of segment: To identify a person or a department to whom communication should be directed.

EDIFACT			Application	
Tag	Name	Format	St	Use / Comments
3139	Contact function code	an..3	C	BK = Electronic data interchange coordinator
C056	Department or employee details		C	
3413	Department or employee name code	an..17	N	
3412	Department or employee name	an..35	C	

Comment:

Example:

CTA+BK+:EDI dep./ Eva HW'

BIG14

IFTMIN

Segment: **COM** Seq. No.: 6 Level: 1 **Communication contact**
 Status: C Max. Occ.: 3

Description of segment: A segment to identify a communication number of a person or department to whom communication should be directed.

EDIFACT			Application	
Tag	Name	Format	St	Use / Comments
C076	Communication contact		M	
3148	Communication address identifier	an..512	M	Phone number/e-mail address
3155	Communication address code qualifier	an..3	M	TE = Telephone AL = Cellular phone EM = Electronic mail

Comment:

Example:

COM+eva.hw@bring.com:EM'

BIG14

IFTMIN

Segment: **DTM** Seq. No.: 7 Level: 1 Date/time/period
 Status: R Max. Occ.: 1

Description of segment: A segment to indicate a date and time applying to the whole message, e.g., date and time of document issue.

EDIFACT			Application	
Tag	Name	Format	St	Use / Comments
C507	Date/time/period		M	
2005	Date or time or period function code qualifier	an..3	M	137 = Document/message date/time
2380	Date or time or period text	an..35	C	Document date/time
2379	Date or time or period format code	an..3	C	102 = CCYYMMDD 203 = CCYYMMDDHHMM

Comment:

Example:

DTM+137:20100810:102'

BIG14

IFTMIN

Segment: **DTM** Seq. No.: 8 Level: 1 Date/time/period
 Status: C Max. Occ.: 4

Description of segment: A segment to indicate a date and time applying to the whole message, e.g., date and time of document issue.

EDIFACT			Application	
Tag	Name	Format	St	Use / Comments
C507	Date/time/period		M	
2005	Date or time or period function code qualifier	an..3	M	63 = Delivery date/time, latest 64 = Delivery date/time, earliest 234 = Collection date/time, earliest 235 = Collection date/time, latest
2380	Date or time or period text	an..35	C	Document date/time
2379	Date or time or period format code	an..3	C	102 = CCYYMMDD 203 = CCYYMMDDHHMM

Comment:

If time span is not used, Code 63 should be used for delivery date/time and Code 234 should be used for collection date/time

Example:

DTM+234:20100810:102'

BIG14

IFTMIN

Segment: **MOA** Seq. No.: 9 Level: 1 **Monetary amount**
 Status: C Max. Occ.: 2

Description of segment: A segment to indicate a monetary value for entire consignment, e.g. insured value, invoice amount, disbursements, etc.

EDIFACT			Application	
Tag	Name	Format	St	Use / Comments
C516	Monetary amount		M	
5025	Monetary amount type code qualifier	an..3	M	22 = Cash on delivery amount 74 = Amount to be paid in advance 114 = Prepaid charge summary total 157 = Insurance value
5004	Monetary amount	n..35	C	Amount
6345	Currency identification code	an..3	C	NOK = Norwegian Crowns SEK = Swedish Crowns EUR = Euro Use ISO 4217 3 alpha code
6343	Currency type code qualifier	an..3	N	
4405	Status description code	an..3	N	

Comment:

Example:

MOA+22:4530:NOK'

BIG14

IFTMIN

Segment: **FTX** Seq. No.: 10 Level: 1 Free text
 Status: R Max. Occ.: 1

Description of segment: A segment to specify free form or processable supplementary information, such as status of transport, remarks to be printed on the transport documents (where required), consignment remarks, insurance instructions, etc., or any other additional information.

EDIFACT			Application		
Tag	Name	Format	St	Use / Comments	
4451	Text subject code qualifier	an..3	M	PRD = Product information	
4453	Free text function code	an..3	N		
C107	Text reference		N		
4441	Free text description code	an..17	N		
1131	Code list identification code	an..17	N		
3055	Code list responsible agency code	an..3	N		
C108	Text literal		C		
4440	Free text	an..512	C		Product code, see appendix 2 for valid codes
4440	Free text	an..512	C		
4440	Free text	an..512	N		
4440	Free text	an..512	N		
3453	Language name code	an..3	N		
4447	Free text format code	an..3	N		

Comment:

Example:

FTX+PRD+++1020:X'

BIG14

IFTMIN

Segment:

FTX

Seq. No.: 11
Status: C

Level: 1
Max. Occ.: 99

Free text

Description of segment: A segment to specify free form or processable supplementary information, such as status of transport, remarks to be printed on the transport documents (where required), consignment remarks, insurance instructions, etc., or any other additional information.

EDIFACT			Application		
Tag	Name	Format	St	Use / Comments	
4451	Text subject code qualifier	an..3	M	SSR = Special service request	
4453	Free text function code	an..3	N		
C107	Text reference		N		
4441	Free text description code	an..17	N		
1131	Code list identification code	an..17	N		
3055	Code list responsible agency code	an..3	N		
C108	Text literal		C		
4440	Free text	an..512	C		Additional service codes See appendix 2 for valid codes
4440	Free text	an..512	C		Additional service information, free text - see appendix 2 - Bring Express for stating number of item for return.
4440	Free text	an..512	N		
4440	Free text	an..512	N		
3453	Language name code	an..3	N		
4447	Free text format code	an..3	N		

Comment:

Segment to be used once for each service.

Example:

FTX+SSR+++1076:ME01NO'

BIG14

IFTMIN

Segment:

FTX

Seq. No.: 12
Status: C

Level: 1
Max. Occ.: 1

Free text

Description of segment: A segment to specify free form or processable supplementary information, such as status of transport, remarks to be printed on the transport documents (where required), consignment remarks, insurance instructions, etc., or any other additional information.

EDIFACT			Application		
Tag	Name	Format	St	Use / Comments	
4451	Text subject code qualifier	an..3	M	TRR = Service Condition	
4453	Free text function code	an..3	N		
C107	Text reference		N		
4441	Free text description code	an..17	N		
1131	Code list identification code	an..17	N		
3055	Code list responsible agency code	an..3	N		
C108	Text literal		C		
4440	Free text	an..512	C		Service condition code See appendix 2 for valid service condition codes
4440	Free text	an..512	N		
4440	Free text	an..512	N		
4440	Free text	an..512	N		
3453	Language name code	an..3	N		
4447	Free text format code	an..3	N		

Comment:

Segment only used by Bring Cargo No

Example:

FTX+TRR+++DAVA'

BIG14

IFTMIN

Segment: **FTX** Seq. No.: 13 Level: 1 **Free text**
 Status: C Max. Occ.: 5

Description of segment: A segment to specify free form or processable supplementary information, such as status of transport, remarks to be printed on the transport documents (where required), consignment remarks, insurance instructions, etc., or any other additional information.

EDIFACT			Application		
Tag	Name	Format	St	Use / Comments	
4451	Text subject code qualifier	an..3	M	DEL = Delivery information ICN = Information for consignee ACB = Additional information AAA = Goods description SIC = Sender's instructions to carrier	
4453	Free text function code	an..3	N		
C107	Text reference		N		
4441	Free text description code	an..17	N		
1131	Code list identification code	an..17	N		
3055	Code list responsible agency code	an..3	N		
C108	Text literal		C		
4440	Free text	an..512	C		Free text
4440	Free text	an..512	N		
4440	Free text	an..512	N		
4440	Free text	an..512	N		
3453	Language name code	an..3	N		
4447	Free text format code	an..3	N		

Comment:

ACB - additional information to a service (PRD) or an additional service (SSR)
 DEL -Delivery Instruction printed on the waybill/visible in online terminal
 ICN -Information for consignee
 SIC - Sender's instruction to carrier

Example:

FTX+DEL+++Call 911 before delivery'

BIG14

IFTMIN

Segment: **FTX** Seq. No.: 14 Level: 1 **Free text**
 Status: C Max. Occ.: 1

Description of segment: A segment to specify free form or processable supplementary information, such as status of transport, remarks to be printed on the transport documents (where required), consignment remarks, insurance instructions, etc., or any other additional information.

EDIFACT			Application		
Tag	Name	Format	St	Use / Comments	
4451	Text subject code qualifier	an..3	M	AAR = Terms of delivery	
4453	Free text function code	an..3	N		
C107	Text reference		N		
4441	Free text description code	an..17	N		
1131	Code list identification code	an..17	N		
3055	Code list responsible agency code	an..3	N		
C108	Text literal		C		
4440	Free text	an..512	C		Combiterms
4440	Free text	an..512	N		
4440	Free text	an..512	N		
4440	Free text	an..512	N		
3453	Language name code	an..3	N		
4447	Free text format code	an..3	N		

Comment:

Example:

FTX+AAR+++0022'

BIG14

IFTMIN

Segment:

CNT

Seq. No.: 15
Status: R

Level: 1
Max. Occ.: 6

Control total

Description of segment: A segment to specify totals for a consignment.

EDIFACT			Application	
Tag	Name	Format	St	Use / Comments
C270	Control		M	
6069	Control total type code qualifier	an..3	M	7 = Total gross weight 11 = Total number of packages 15 = Total consignment, cube 57 = Total loading metres Z1H = Total number of pallet foot prints ZDG = Points Dangerous Goods
6066	Control total quantity	n..18	M	Quantity
6411	Measurement unit code	an..8	C	DMQ = cubic decimetre GRM = gram KGM = kilogram MTR = metre MTQ = cubic metre PCE = pieces
UN/ECE recommendation no 20 to be used for other codes				

Comment:

6069 - code 11 required. Code 7 and/or 15 is required for groupage
For code ZDG, total amount of points in 6066

Example:

CNT+11:9:PCE'

BIG14

IFTMIN

Segment:

GDS

Seq. No.: 16
Status: C

Level: 1
Max. Occ.: 1

Nature of cargo

Description of segment: A segment to describe the nature of cargo.

EDIFACT			Application	
Tag	Name	Format	St	Use / Comments
C703	Nature of cargo		C	
7085	Cargo type classification code	an..3	M	11 = Hazardous cargo 20 = Out of gauge
1131	Code list identification code	an..17	N	
3055	Code list responsible agency code	an..3	N	

Comment:

Segment used for indication of dangerous goods or out of gauge

Example:

GDS+11'

BIG14

IFTMIN

Group: **SG2** Status: C Max. Occ.: 1 TOD

Segment: **TOD** Seq. No.: 17 Level: 1 **Terms of delivery or transport**
 Status: M Max. Occ.: 1

Description of segment: A segment to specify the applicable terms of delivery.

EDIFACT			Application	
Tag	Name	Format	St	Use / Comments
4055	Delivery or transport terms function code	an..3	C	5 = Transport condition CC = Collect PP = Prepaid (by seller) TP = Third party pay
4215	Transport charges payment method code	an..3	C	
C100	Terms of delivery or transport		N	
4053	Delivery or transport terms description code	an..3	N	
1131	Code list identification code	an..17	N	
3055	Code list responsible agency code	an..3	N	
4052	Delivery or transport terms description	an..70	N	
4052	Delivery or transport terms description	an..70	N	

Comment:

This segment should be used for domestic traffic.

4215 - TP, if Third Party is to pay, Freight Payer must be stated in NAD+FP with necessary information

Example:

TOD+5+CC'

BIG14

IFTMIN

Group: **SG2** Status: C Max. Occ.: 1 TOD-LOC

Segment: **TOD** Seq. No.: 18 Level: 1 **Terms of delivery or transport**
 Status: M Max. Occ.: 1

Description of segment: A segment to specify the applicable terms of delivery.

EDIFACT			Application	
Tag	Name	Format	St	Use / Comments
4055	Delivery or transport terms function code	an..3	C	6 = Delivery Condition
4215	Transport charges payment method code	an..3	N	
C100	Terms of delivery or transport		C	EXW = Ex Works (... named place) Terms For INCOTERMS use UN/ECE recommendation no 5 = INCOTERMS2010
4053	Delivery or transport terms description code	an..3	C	
1131	Code list identification code	an..17	C	
3055	Code list responsible agency code	an..3	N	
4052	Delivery or transport terms description	an..70	N	
4052	Delivery or transport terms description	an..70	N	

Comment:

This segment should only be used for international traffic.
 Combiterms shall be placed in FTX+AAR

Example:

TOD+6++EXW:INCOTERMS2010'

BIG14
IFTMIN
Group: **SG2** Status: C Max. Occ.: 1 TOD-LOC

Segment: **LOC** Seq. No.: 19 Level: 2 **Place/location identification**
 Status: C Max. Occ.: 1

Description of segment: To identify a place or a location and/or related locations.

EDIFACT			Application	
Tag	Name	Format	St	Use / Comments
3227	Location function code qualifier	an..3	M	1 = Place of terms of delivery
C517	Location identification		C	
3225	Location name code	an..35	C	Country-, Postal-, Port- airport code 3000 = Drammen
1131	Code list identification code	an..17	N	
3055	Code list responsible agency code	an..3	C	3 = IATA (International Air Transport Association) 4 = ICC (International Chamber of Commerce) 5 = ISO (International Organization for Standardization) 139 = UPU (Universal Postal Union) 274 = ITIGG (International Transport Implementation Guidelines Group)
3224	Location name	an..256	C	Location name
C519	Related location one identification		C	
3223	First related location name code	an..25	C	Country code Use ISO3166-1, A2
1131	Code list identification code	an..17	N	
3055	Code list responsible agency code	an..3	N	
3222	First related location name	an..70	N	
C553	Related location two identification		N	
3233	Second related location name code	an..25	N	
1131	Code list identification code	an..17	N	
3055	Code list responsible agency code	an..3	N	
3232	Second related location name	an..70	N	
5479	Relation code	an..3	N	

Comment:

This segment only used for Incoterms

Example:

LOC+1+3000::139:Drammen+NO'

BIG14

IFTMIN

Group:	SG3	Status: C	Max. Occ.: 17	RFF
Segment:	RFF	Seq. No.: 20 Status: M	Level: 1 Max. Occ.: 1	Reference

Description of segment: A segment to express a reference which applies to the entire message such as: the document/ message number that is to be updated by this very message (according to data element 1225 Message function code in segment BGM), booking reference, order number, insurance contract, etc.

EDIFACT			Application	
Tag	Name	Format	St	Use / Comments
C506	Reference		M	
1153	Reference code qualifier	an..3	M	AAK = Despatch advice number AAS = Transport document number ABT = Customs declaration number ADE = Account number AEP = Project number AFM = Secondary Customs reference AGM = Number of temporary importation document AGO = Sender's reference to the original message ANT = Consignee's reference AWB = Air waybill number BM = Bill of lading number BN = Booking reference number CMR = Road consignment note number CU = Consignor's reference number SRN = Shipment reference number TIN = Transport instruction number XC = Goods number
1154	Reference identifier	an..70	C	Reference Number
1156	Document line identifier	an..6	N	
4000	Reference version identifier	an..35	N	
1060	Revision identifier	an..6	N	

Comment:

RFF AAS is voyage/trip referance (NO)
RFF ADE is used in connection with amount paid in advance
RFF AEP is used unique reference to a set of EDI message
RFF AGO is used to state orginal consegnment No in case this has to be changed
RFF BN is used to identify a reference to a booking
RFF CU must be used if SG08/TDT/3127 = NCS
RFF SRN is third party consignmentNo not used by the carriers covered by this implementation
For Bring Parcels: SRN is used for GS1 shipment id for Parcels shipped to the same recipient at the same time.
RFF TIN MMT Material movment ticket
RFF AFM to be used as 'bulk reference' for custom clearance
RFF XC to be used for Goods number

Example:

RFF+CMR:70701020000000034'

BIG14

IFTMIN

Group: **SG3** Status: C Max. Occ.: 2 RFF-DTM
Segment: **RFF** Seq. No.: 21 Level: 1 **Reference**
 Status: M Max. Occ.: 1

Description of segment:

EDIFACT			Application	
Tag	Name	Format	St	Use / Comments
C506	Reference		M	
1153	Reference code qualifier	an..3	M	IV = Invoice number AAB = Proforma Invoice Number InvoiceNo/Proforma invoice number
1154	Reference identifier	an..70	C	
1156	Document line identifier	an..6	N	
4000	Reference version identifier	an..35	N	
1060	Revision identifier	an..6	N	

Comment:

Example:
 RFF+IV:867'

BIG14

IFTMIN

Group:	SG3	Status: C	Max. Occ.: 2	RFF-DTM
Segment:	DTM	Seq. No.: 22 Status: C	Level: 2 Max. Occ.: 9	Date/time/period

Description of segment: A segment to indicate date and time relating to the reference.

EDIFACT			Application	
Tag	Name	Format	St	Use / Comments
C507	Date/time/period		M	
2005	Date or time or period function code qualifier	an..3	M	171 = Reference date/time
2380	Date or time or period text	an..35	C	Date
2379	Date or time or period format code	an..3	C	102 = CCYYMMDD

Comment:

Example:

DTM+171:20100923:102'

BIG14

IFTMIN

Group:	SG8	Status: R	Max. Occ.: 1	TDT-TSR-SG9
Segment:	TDT	Seq. No.: 23 Status: M	Level: 1 Max. Occ.: 1	Transport information

Description of segment: A segment to indicate information related to a certain stage of the transport, such as mode, means and carrier.

EDIFACT			Application	
Tag	Name	Format	St	Use / Comments
8051	Transport stage code qualifier	an..3	M	10 = Pre-carriage transport 20 = Main-carriage transport 30 = On-carriage transport
8028	Means of transport journey identifier	an..17	C	Trip-/Journey-/Flight identifier Only used between carriers
C220	Mode of transport		C	Use UN/ECE Recommendation No 19
8067	Transport mode name code	an..3	C	1 = Maritime transport 2 = Rail transport 3 = Road transport 4 = Air transport 5 = Mail 9 = Transport mode not applicable
8066	Transport mode name	an..17	N	
C001	Transport means		N	
8179	Transport means description code	an..8	N	
1131	Code list identification code	an..17	N	
3055	Code list responsible agency code	an..3	N	
8178	Transport means description	an..17	N	
C040	Carrier		C	For transport only shown codes are valid
3127	Carrier identifier	an..17	C	BCI = Bring Cargo International NO BCN = Bring Cargo Domestic NO BCS = Bring Cargo International SE BDD = Bring Cargo Domestic DK BDF = Bring Cargo Domestic FI BDS = Bring Cargo Domestic SE BEF = Bring Express FI BEX = Bring Express BFN = Bring Frigo NO BFS = Bring Frigo SE BID = Bring Cargo International DK BPI = Bring Parcels AB BPN = Bring Parcels NO (former Posten NO) TIE = Bring Express Courier
1131	Code list identification code	an..17	C	Not in use
3055	Code list responsible agency code	an..3	C	87 = Assigned by carrier
3128	Carrier name	an..35	N	
8101	Transit direction indicator code	an..3	N	
C401	Excess transportation information		N	
8457	Excess transportation reason code	an..3	N	
8459	Excess transportation responsibility code	an..3	N	
7130	Customer shipment authorisation identifier	an..17	N	
C222	Transport identification		N	

BIG14

IFTMIN

EDIFACT			Application	
Tag	Name	Format	St	Use / Comments
8213	Transport means identification name identifier	an..9	N	
1131	Code list identification code	an..17	N	
3055	Code list responsible agency code	an..3	N	
8212	Transport means identification name	an..35	N	
8453	Transport means nationality code	an..3	N	
8281	Transport means ownership indicator code	an..3	N	

Comment:

Example:

TDT+20++3++BCS::87'

BIG14

IFTMIN

Group:	SG8	Status: R	Max. Occ.: 1	TDT-TSR-SG9
Segment:	TSR	Seq. No.: 24 Status: C	Level: 2 Max. Occ.: 3	Transport service requirements

Description of segment: A segment to identify contract, conditions of carriage, services, priority requirements for this stage of transport.

EDIFACT			Application	
Tag	Name	Format	St	Use / Comments
C536	Contract and carriage condition		C	
4065	Contract and carriage condition code	an..3	M	ALY = Express QUI = Quickpack OXP = Supply Base Logistics HUB = Hub Application SCM = Supply Chain Management CUS = Customs Clearance QUP = TNT & UPS Quickpack packages BVS = Bring Vårgårda SE
1131	Code list identification code	an..17	N	
3055	Code list responsible agency code	an..3	N	
C233	Service		N	
7273	Service requirement code	an..3	N	
1131	Code list identification code	an..17	N	
3055	Code list responsible agency code	an..3	N	
7273	Service requirement code	an..3	N	
1131	Code list identification code	an..17	N	
3055	Code list responsible agency code	an..3	N	
C537	Transport priority		N	
4219	Transport service priority code	an..3	N	
1131	Code list identification code	an..17	N	
3055	Code list responsible agency code	an..3	N	
C703	Nature of cargo		N	
7085	Cargo type classification code	an..3	N	
1131	Code list identification code	an..17	N	
3055	Code list responsible agency code	an..3	N	

Comment:

Used for routing/duplication of message

Example:

TSR+ALY'

BIG14

IFTMIN

Group: **SG8** Status: R Max. Occ.: 1 TDT-TSR-SG9

Group: **SG9** Status: C Max. Occ.: 1 LOC

Segment: **LOC** Seq. No.: 25 Level: 2 **Place/location identification**
 Status: M Max. Occ.: 1

Description of segment: A segment to indicate a location such as origin, destination, stop off, etc. related to this leg of transport.

EDIFACT			Application	
Tag	Name	Format	St	Use / Comments
3227	Location function code qualifier	an..3	M	35 = Country of exportation/despatch 36 = Country of ultimate destination 202 = Terminal
C517	Location identification		C	Bring unit code (Carriers first terminal), see appendix 1
3225	Location name code	an..35	C	
1131	Code list identification code	an..17	N	
3055	Code list responsible agency code	an..3	C	5 = ISO (International Organization for Standardization) 9 = EAN International 87 = Assigned by carrier
3224	Location name	an..256	C	Bring unit/branch name
C519	Related location one identification		N	
3223	First related location name code	an..25	N	
1131	Code list identification code	an..17	N	
3055	Code list responsible agency code	an..3	N	
3222	First related location name	an..70	N	
C553	Related location two identification		N	
3233	Second related location name code	an..25	N	
1131	Code list identification code	an..17	N	
3055	Code list responsible agency code	an..3	N	
3232	Second related location name	an..70	N	
5479	Relation code	an..3	N	

Comment:

Qualifier 202 should be used to state terminal for pick up, if agreed.

Example:

LOC+202+1000::87:Bring Logistics, Oslo'

BIG14

IFTMIN

Group:	SG11	Status: M	Max. Occ.: 2	NAD-LOC-SG12-SG15
Segment:	NAD	Seq. No.: 26 Status: M	Level: 1 Max. Occ.: 1	Name and address

Description of segment: A segment to identify the party's name, address, and function.

EDIFACT			Application	
Tag	Name	Format	St	Use / Comments
3035	Party function code qualifier	an..3	M	CZ = Consignor CN = Consignee
C082	Party identification details		C	
3039	Party identifier	an..35	M	Consignor/ Consignee identification number is no longer required. Identification number must be entered in NAD with Freight Payer
1131	Code list identification code	an..17	C	AMP = NCS unique customer identification CCP = Credit Card CNO = Customer number ENH = Organization number FMI = Franking Machine id issued by Posten Norge AS FNR = National Personal Identification number (social security number) MID = Consignee Id (CN) XDS = Cross Docking Indicator (CN)
3055	Code list responsible agency code	an..3	C	9 = EAN International 16 = US, D&B (Dun & Bradstreet Corporation) 82 = NO, Enhetsregisteret ved Bronnoysundregisterne 86 = Assigned by originating the message Special agreement needed for code 86 87 = Assigned by carrier 91 = Assigned by seller or seller's agent Special agreement needed for code 91
C058	Name and address		N	
3124	Name and address description	an..35	N	
3124	Name and address description	an..35	N	
3124	Name and address description	an..35	N	
3124	Name and address description	an..35	N	
3124	Name and address description	an..35	N	
C080	Party name		R	
3036	Party name	an..35	M	Consignor/Consignee Name
3036	Party name	an..35	C	Additional information (not handled by all Bring companies)
3036	Party name	an..35	N	
3036	Party name	an..35	N	
3036	Party name	an..35	N	
3045	Party name format code	an..3	N	
C059	Street		R	
3042	Street and number or post office box identifier	an..35	M	Consignor/Consignee Street address
3042	Street and number or post office box identifier	an..35	C	To be used for additional information.
3042	Street and number or post office box identifier	an..35	N	
3042	Street and number or post office box identifier	an..35	N	

BIG14

IFTMIN

EDIFACT			Application		
Tag	Name	Format	St	Use / Comments	
3164	City name	an..35	R	Consignor/Consignee City Name	
C819	Country sub-entity details		C		
3229	Country sub-entity name code	an..9	C		
1131	Code list identification code	an..17	N		
3055	Code list responsible agency code	an..3	N		
3228	Country sub-entity name	an..70	N		
3251	Postal identification code	an..17	R		Consignor/Consignee Postal Code
3207	Country name code	an..3	R		Consignor/Consignee Country Code ISO 3166 2 Alpha to be used

Comment:

FNR,MID and XDS to be used for consolidation of consignments for delivery to consignee - special agreed

Example:

NAD+CZ+100099999999::87++Bring IKT:X+Biskop Gunnerusgate 14 A:18 etg.+OSLO++0001+NO'

BIG14

IFTMIN

Group: **SG11** Status: M Max. Occ.: 2 NAD-LOC-SG12-SG15

Segment: **LOC** Seq. No.: 27 Level: 2 **Place/location identification**
 Status: C Max. Occ.: 9

Description of segment: A segment to indicate location where a specific function will be performed.

EDIFACT			Application	
Tag	Name	Format	St	Use / Comments
3227	Location function code qualifier	an..3	M	202 = Terminal
C517	Location identification		C	
3225	Location name code	an..35	C	Branch code
1131	Code list identification code	an..17	N	
3055	Code list responsible agency code	an..3	C	87 = Assigned by carrier
3224	Location name	an..256	N	
C519	Related location one identification		N	
3223	First related location name code	an..25	N	
1131	Code list identification code	an..17	N	
3055	Code list responsible agency code	an..3	N	
3222	First related location name	an..70	N	
C553	Related location two identification		N	
3233	Second related location name code	an..25	N	
1131	Code list identification code	an..17	N	
3055	Code list responsible agency code	an..3	N	
3232	Second related location name	an..70	N	
5479	Relation code	an..3	N	

Comment:

Only used for Bring Cargo (TDT/3127=BCN)

Example:

LOC+202+20000::87'

BIG14

IFTMIN

Group: **SG11** Status: M Max. Occ.: 2 NAD-LOC-SG12-SG15

Group: **SG12** Status: C Max. Occ.: 9 CTA-COM

Segment: **CTA** Seq. No.: 28 Level: 2 **Contact information**
 Status: M Max. Occ.: 1

Description of segment: A segment to identify a person or department within a party.

EDIFACT			Application	
Tag	Name	Format	St	Use / Comments
3139	Contact function code	an..3	C	IC = Information contact
C056	Department or employee details		C	
3413	Department or employee name code	an..17	N	
3412	Department or employee name	an..35	C	

Comment:

Example:

CTA+IC+:Kalle'

BIG14

IFTMIN

Group:	SG11	Status: M	Max. Occ.: 2	NAD-LOC-SG12-SG15
Group:	SG12	Status: C	Max. Occ.: 9	CTA-COM
Segment:	COM	Seq. No.: 29 Status: C	Level: 3 Max. Occ.: 9	Communication contact

Description of segment: A segment to identify a communication number of a person or department to whom communication should be directed.

EDIFACT			Application	
Tag	Name	Format	St	Use / Comments
C076	Communication contact		M	
3148	Communication address identifier	an..512	M	Telephone number, Cellular number, E-mail address
3155	Communication address code qualifier	an..3	M	AL = Cellular phone TE = Telephone EM = Electronic mail

Comment:

Telephone number is only accepted in international format (containing + without blanks and dashes, and country number) or national format

Example:

COM+?+4723249852:TE'

BIG14

IFTMIN

Group: **SG11** Status: M Max. Occ.: 2 NAD-LOC-SG12-SG15

Group: **SG12** Status: C Max. Occ.: 9 CTA-COM

Segment: **CTA** Seq. No.: 30 Level: 2 **Contact information**
 Status: M Max. Occ.: 1

Description of segment: A segment to identify a person or department within a party.

EDIFACT			Application	
Tag	Name	Format	St	Use / Comments
3139	Contact function code	an..3	C	AA = Insurance contact
C056	Department or employee details		N	
3413	Department or employee name code	an..17	N	
3412	Department or employee name	an..35	N	

Comment:

Example:

CTA+AA'

BIG14

IFTMIN

Group:	SG11	Status: M	Max. Occ.: 2	NAD-LOC-SG12-SG15
Group:	SG12	Status: C	Max. Occ.: 9	CTA-COM
Segment:	COM	Seq. No.: 31 Status: C	Level: 3 Max. Occ.: 9	Communication contact

Description of segment: A segment to identify a communication number of a person or department to whom communication should be directed.

EDIFACT			Application	
Tag	Name	Format	St	Use / Comments
C076	Communication contact		M	
3148	Communication address identifier	an..512	M	Telephone number, Cellular number, E-mail address
3155	Communication address code qualifier	an..3	M	EM = Electronic mail

Comment:

Telephone number is only accepted in international format (containing + without blanks and dashes, and country number) or national format

Example:

COM+email@frigo.com:EM'

BIG14

IFTMIN

Group: **SG11** Status: M Max. Occ.: 2 NAD-LOC-SG12-SG15

Group: **SG15** Status: C Max. Occ.: 9 RFF

Segment: **RFF** Seq. No.: 32 Level: 2 **Reference**
 Status: M Max. Occ.: 1

Description of segment: A segment to identify a reference used by a party.

EDIFACT			Application	
Tag	Name	Format	St	Use / Comments
C506	Reference		M	ACD = Additional reference information
1153	Reference code qualifier	an..3	M	
1154	Reference identifier	an..70	C	
1156	Document line identifier	an..6	N	
4000	Reference version identifier	an..35	N	
1060	Revision identifier	an..6	N	

Comment:

Segment used by Bring SE for pallet registration number
 Segment mandatory for all clients belonging to the 'PÖS' system

Example:

RFF+ACD:23456'

BIG14

IFTMIN

Group:	SG11	Status: M	Max. Occ.: 1	NAD-LOC-SG12
Segment:	NAD	Seq. No.: 33 Status: M	Level: 1 Max. Occ.: 1	Name and address

Description of segment: A segment to identify the party's name, address, and function.

EDIFACT			Application	
Tag	Name	Format	St	Use / Comments
3035	Party function code qualifier	an..3	M	FP = Freight/charges payer
C082	Party identification details		R	
3039	Party identifier	an..35	M	Freight Payer identification number
1131	Code list identification code	an..17	C	AMP = NCS unique customer identification CCP = Credit Card CNO = Customer number ENH = Organization number FMI = Franking Machine id issued by Posten Norge AS FNR = National Personal Identification number (social security number)
3055	Code list responsible agency code	an..3	C	9 = EAN International 16 = US, D&B (Dun & Bradstreet Corporation) 82 = NO, Enhetsregisteret ved Bronnoysundregisterne 86 = Assigned by originating the message Special agreement needed for code 86 87 = Assigned by carrier 91 = Assigned by seller or seller's agent Special agreement needed for code 91
C058	Name and address		N	
3124	Name and address description	an..35	N	
3124	Name and address description	an..35	N	
3124	Name and address description	an..35	N	
3124	Name and address description	an..35	N	
3124	Name and address description	an..35	N	
C080	Party name		C	
3036	Party name	an..35	M	Freight Party Name
3036	Party name	an..35	N	
3036	Party name	an..35	N	
3036	Party name	an..35	N	
3036	Party name	an..35	N	
3045	Party name format code	an..3	N	
C059	Street		C	
3042	Street and number or post office box identifier	an..35	M	Freight Payer Street address
3042	Street and number or post office box identifier	an..35	C	To be used for additional information.
3042	Street and number or post office box identifier	an..35	N	
3042	Street and number or post office box identifier	an..35	N	
3164	City name	an..35	C	Freight Party City Name
C819	Country sub-entity details		N	

BIG14

IFTMIN

EDIFACT			Application	
Tag	Name	Format	St	Use / Comments
3229	Country sub-entity name code	an..9	N	
1131	Code list identification code	an..17	N	
3055	Code list responsible agency code	an..3	N	
3228	Country sub-entity name	an..70	N	
3251	Postal identification code	an..17	C	Freight Party Postal Code
3207	Country name code	an..3	C	Freight Payer Country Code ISO 3166 2 Alpha to be used

Comment:

This segment is mandatory for all companies, except for import consignments where the customer id is unknown for the message sender.

Example:

NAD+FP+10009999999::87++Bring IKT+Biskop Gunnerusgate 14 A:18 etg.+OSLO++0001+NO'

NAD+FP+10000089989::87'

NAD+FP+0583516:FMI:87' (for Franking Machine)

BIG14

IFTMIN

Group: **SG11** Status: M Max. Occ.: 1 NAD-LOC-SG12

Segment: **LOC** Seq. No.: 34 Level: 2 **Place/location identification**
 Status: C Max. Occ.: 9

Description of segment: A segment to indicate location where a specific function will be performed.

EDIFACT			Application	
Tag	Name	Format	St	Use / Comments
3227	Location function code qualifier	an..3	M	202 = Terminal
C517	Location identification		C	
3225	Location name code	an..35	C	Branch code
1131	Code list identification code	an..17	N	
3055	Code list responsible agency code	an..3	C	87 = Assigned by carrier
3224	Location name	an..256	N	
C519	Related location one identification		N	
3223	First related location name code	an..25	N	
1131	Code list identification code	an..17	N	
3055	Code list responsible agency code	an..3	N	
3222	First related location name	an..70	N	
C553	Related location two identification		N	
3233	Second related location name code	an..25	N	
1131	Code list identification code	an..17	N	
3055	Code list responsible agency code	an..3	N	
3232	Second related location name	an..70	N	
5479	Relation code	an..3	N	

Comment:

Only used for Bring Cargo (TDT/3127=BCN)

Example:

LOC+202+20000::87'

BIG14

IFTMIN

Group:	SG11	Status: M	Max. Occ.: 1	NAD-LOC-SG12
Group:	SG12	Status: C	Max. Occ.: 9	CTA-COM
Segment:	CTA	Seq. No.: 35 Status: M	Level: 2 Max. Occ.: 1	Contact information

Description of segment: A segment to identify a person or department within a party.

EDIFACT			Application	
Tag	Name	Format	St	Use / Comments
3139	Contact function code	an..3	C	IC = Information contact
C056	Department or employee details		N	
3413	Department or employee name code	an..17	N	
3412	Department or employee name	an..35	N	

Comment:

Example:

CTA+IC'

BIG14

IFTMIN

Group:	SG11	Status: M	Max. Occ.: 1	NAD-LOC-SG12
Group:	SG12	Status: C	Max. Occ.: 9	CTA-COM
Segment:	COM	Seq. No.: 36 Status: C	Level: 3 Max. Occ.: 9	Communication contact

Description of segment: A segment to identify a communication number of a person or department to whom communication should be directed.

EDIFACT			Application	
Tag	Name	Format	St	Use / Comments
C076	Communication contact		M	
3148	Communication address identifier	an..512	M	Telephone number, Cellular number, E-mail address
3155	Communication address code qualifier	an..3	M	AL = Cellular phone TE = Telephone EM = Electronic mail

Comment:

Telephone number is only accepted in international format (containing + without blanks and dashes, and country number) or national format

Example:

COM+?+4723249852:TE'

BIG14

IFTMIN

Group:	SG11	Status: C	Max. Occ.: 5	NAD-SG12
Segment:	NAD	Seq. No.: 37 Status: M	Level: 1 Max. Occ.: 1	Name and address

Description of segment: A segment to identify the party's name, address, and function.

EDIFACT			Application	
Tag	Name	Format	St	Use / Comments
3035	Party function code qualifier	an..3	M	PW = Despatch party DP = Delivery party N1 = Notify party no. 1 NI = Notify party ZRR = Return Address
C082	Party identification details		N	
3039	Party identifier	an..35	N	
1131	Code list identification code	an..17	N	
3055	Code list responsible agency code	an..3	N	
C058	Name and address		N	
3124	Name and address description	an..35	N	
3124	Name and address description	an..35	N	
3124	Name and address description	an..35	N	
3124	Name and address description	an..35	N	
3124	Name and address description	an..35	N	
C080	Party name		C	
3036	Party name	an..35	M	Party Name
3036	Party name	an..35	N	
3036	Party name	an..35	N	
3036	Party name	an..35	N	
3036	Party name	an..35	N	
3045	Party name format code	an..3	N	
C059	Street		R	
3042	Street and number or post office box identifier	an..35	M	Party Street and Number
3042	Street and number or post office box identifier	an..35	C	To be used for additional information.
3042	Street and number or post office box identifier	an..35	N	
3042	Street and number or post office box identifier	an..35	N	
3164	City name	an..35	R	City Name
C819	Country sub-entity details		N	
3229	Country sub-entity name code	an..9	N	
1131	Code list identification code	an..17	N	
3055	Code list responsible agency code	an..3	N	
3228	Country sub-entity name	an..70	N	
3251	Postal identification code	an..17	C	Postal Code
3207	Country name code	an..3	C	Country Code ISO 3166 2 Alpha to be used

Comment:

PW is used if the pick up address is different to consignor's (CZ) address

BIG14

IFTMIN

DP is used if delivery address is different to consignee's (CN) address

NI is used to supply postal address to consignee/delivery party and is required by Bring Parcels domestic Norway (BPN).

N1 is used to send notification/arrival message to party other than consignee/delivery party. Must be followed by CTA and COM segments to supply contact information.

ZRR is to be used as return address when undeliverable goods is to be returned to other than consignor

Example:

NAD+PW+++Backer?'s Corner+Ravnkroken 12:1 etg.+OSLO++1254+NO'

BIG14

IFTMIN

Group:	SG11	Status: C	Max. Occ.: 5	NAD-SG12
Group:	SG12	Status: C	Max. Occ.: 9	CTA-COM
Segment:	CTA	Seq. No.: 38 Status: M	Level: 2 Max. Occ.: 1	Contact information

Description of segment: A segment to identify a person or department within a party.

EDIFACT			Application	
Tag	Name	Format	St	Use / Comments
3139	Contact function code	an..3	C	IC = Information contact AA = Insurance contact
C056	Department or employee details		N	
3413	Department or employee name code	an..17	N	
3412	Department or employee name	an..35	N	

Comment:

Example:

CTA+IC'

BIG14

IFTMIN

Group:	SG11	Status: C	Max. Occ.: 5	NAD-SG12
Group:	SG12	Status: C	Max. Occ.: 9	CTA-COM
Segment:	COM	Seq. No.: 39 Status: C	Level: 3 Max. Occ.: 9	Communication contact

Description of segment: A segment to identify a communication number of a person or department to whom communication should be directed.

EDIFACT			Application	
Tag	Name	Format	St	Use / Comments
C076	Communication contact		M	
3148	Communication address identifier	an..512	M	Telephone number
3155	Communication address code qualifier	an..3	M	TE = Telephone

Comment:

Telephone number is only accepted in international format (containing + without blanks and dashes, and country number) or national format

Example:

COM+?+4798765432:TE'

BIG14
IFTMIN

Group:	SG11	Status: C	Max. Occ.: 1	NAD-SG15
Segment:	NAD	Seq. No.: 40 Status: M	Level: 1 Max. Occ.: 1	Name and address

Description of segment: A segment to identify the party's name, address, and function.

EDIFACT			Application	
Tag	Name	Format	St	Use / Comments
3035	Party function code qualifier	an..3	M	PE = Payee
C082	Party identification details		N	
3039	Party identifier	an..35	N	
1131	Code list identification code	an..17	N	
3055	Code list responsible agency code	an..3	N	
C058	Name and address		N	
3124	Name and address description	an..35	N	
3124	Name and address description	an..35	N	
3124	Name and address description	an..35	N	
3124	Name and address description	an..35	N	
3124	Name and address description	an..35	N	
C080	Party name		C	
3036	Party name	an..35	R	Payee Name
3036	Party name	an..35	N	
3036	Party name	an..35	N	
3036	Party name	an..35	N	
3036	Party name	an..35	N	
3045	Party name format code	an..3	N	
C059	Street		C	
3042	Street and number or post office box identifier	an..35	R	Payee Street number
3042	Street and number or post office box identifier	an..35	C	To be used for additional information.
3042	Street and number or post office box identifier	an..35	N	
3042	Street and number or post office box identifier	an..35	N	
3164	City name	an..35	R	Payee City Name
C819	Country sub-entity details		N	
3229	Country sub-entity name code	an..9	N	
1131	Code list identification code	an..17	N	
3055	Code list responsible agency code	an..3	N	
3228	Country sub-entity name	an..70	N	
3251	Postal identification code	an..17	R	Payee Posta Code
3207	Country name code	an..3	R	Payee Country Code ISO 3166 2 Alpha to be used

Comment:

PE is used to specify C.O.D. (Cash on delivery) receiver and required for COD shipments.

Example:

NAD+PE+++Pan Audit Co+Hallingkastet 6:hus 3+BERGEN++5000+NO'

BIG14

IFTMIN

Group:	SG11	Status: C	Max. Occ.: 1	NAD-SG15
Group:	SG15	Status: C	Max. Occ.: 9	RFF
Segment:	RFF	Seq. No.: 41 Status: R	Level: 2 Max. Occ.: 1	Reference

Description of segment: A segment to identify a reference used by a party.

EDIFACT			Application	
Tag	Name	Format	St	Use / Comments
C506	Reference		M	
1153	Reference code qualifier	an..3	M	ADE = Account number (For SE use Z01 or Z04) PQ = Payment reference (OCR/KID reference) ZCH = Check Digit (digit for amount - Required for OCR account NO) ZKK = Account type (DK) SS = Sellers reference number Z01 = Bankgiro account (SE only) Z04 = Postgiro account (SE only)
1154	Reference identifier	an..70	C	Account number
1156	Document line identifier	an..6	N	
4000	Reference version identifier	an..35	N	
1060	Revision identifier	an..6	N	

Comment:

COD (Cash On Delivery) information

Example:

RFF+ADE:52020599227'

BIG14

IFTMIN

Group: **SG18** Status: R Max. Occ.: 999 GID-TMP-RNG-MOA-PIA-FTX-SG20-SG21-SG22-SG23-SG32

Segment: **GID** Seq. No.: 42 Level: 1 **Goods item details**
 Status: M Max. Occ.: 1

Description of segment: A segment to identify a goods item for which transport is undertaken. A goods item can be identified by up to three levels of packaging.

EDIFACT			Application	
Tag	Name	Format	St	Use / Comments
1496	Goods item number	n..5	C	Consignment- or customs line number (sequential)
C213	Number and type of packages		C	
7224	Package quantity	n..8	C	Quantity
7065	Package type description code	an..17	C	For other codes see BIG23- package types
1131	Code list identification code	an..17	C	
3055	Code list responsible agency code	an..3	N	
7064	Type of packages	an..35	C	Type of packages description
7233	Packaging related description code	an..3	N	
C213	Number and type of packages		N	
7224	Package quantity	n..8	N	
7065	Package type description code	an..17	N	
1131	Code list identification code	an..17	N	
3055	Code list responsible agency code	an..3	N	
7064	Type of packages	an..35	N	
7233	Packaging related description code	an..3	N	
C213	Number and type of packages		N	
7224	Package quantity	n..8	N	
7065	Package type description code	an..17	N	
1131	Code list identification code	an..17	N	
3055	Code list responsible agency code	an..3	N	
7064	Type of packages	an..35	N	
7233	Packaging related description code	an..3	N	
C213	Number and type of packages		N	
7224	Package quantity	n..8	N	
7065	Package type description code	an..17	N	
1131	Code list identification code	an..17	N	
3055	Code list responsible agency code	an..3	N	
7064	Type of packages	an..35	N	
7233	Packaging related description code	an..3	N	
C213	Number and type of packages		N	
7224	Package quantity	n..8	N	
7065	Package type description code	an..17	N	
1131	Code list identification code	an..17	N	
3055	Code list responsible agency code	an..3	N	

BIG14**IFTMIN**

EDIFACT			Application	
Tag	Name	Format	St	Use / Comments
7064	Type of packages	an..35	N	
7233	Packaging related description code	an..3	N	

Comment:

For Bring Parcels the GID group (SG18) must be repeated for each package.

Example:

GID+1+1:201::Pallet'

BIG14

IFTMIN

Group: **SG18** Status: R Max. Occ.: 999 GID-TMP-RNG-MOA-PIA-FTX-SG20-SG21-SG22-SG23-SG32

Segment: **TMP** Seq. No.: 43 Level: 2 **Temperature**
 Status: C Max. Occ.: 1

Description of segment: A segment to specify a temperature setting for a goods item.

EDIFACT			Application	
Tag	Name	Format	St	Use / Comments
6245	Temperature type code qualifier	an..3	M	1 = Storage temperature 2 = Transport temperature 5 = Transport control temperature
C239	Temperature setting		C	
6246	Temperature degree	n..15	C	Temperature degree
6411	Measurement unit code	an..8	C	CEL = degree Celsius FAH = degree Fahrenheit

Comment:

TMP is valid for the entire consignment

Example:

TMP+1+-15:CEL'

BIG14

IFTMIN

Group: **SG18** Status: R Max. Occ.: 999 GID-TMP-RNG-MOA-PIA-FTX-SG20-SG21-SG22-SG23-SG32

Segment: **RNG** Seq. No.: 44 Level: 2 **Range details**
 Status: C Max. Occ.: 1

Description of segment: A segment to specify a temperature range setting for a goods item.

EDIFACT			Application		
Tag	Name	Format	St	Use / Comments	
6167	Range type code qualifier	an..3	M	12 = Transport temperature range CEL = degree Celsius FAH = degree Fahrenheit	
C280	Range		C		
6411	Measurement unit code	an..8	M		
6162	Range minimum quantity	n..18	C		Temperature range minimum
6152	Range maximum quantity	n..18	C		Temperature range maximum

Comment:

RNG is valid for the entire consignment

Example:

RNG+12+CEL:4:8'

BIG14

IFTMIN

Group: **SG18** Status: R Max. Occ.: 999 GID-TMP-RNG-MOA-PIA-FTX-SG20-SG21-SG22-SG23-SG32

Segment: **MOA** Seq. No.: 45 Level: 2 **Monetary amount**
 Status: C Max. Occ.: 9

Description of segment: A segment to specify a monetary amount associated with a goods item, such as declared value, FOB value, etc.

EDIFACT			Application	
Tag	Name	Format	St	Use / Comments
C516	Monetary amount		M	
5025	Monetary amount type code qualifier	an..3	M	114 = Prepaid charge summary total 157 = Insurance value
5004	Monetary amount	n..35	C	Amount
6345	Currency identification code	an..3	C	Currency code (ISO 4217, A3)
6343	Currency type code qualifier	an..3	N	
4405	Status description code	an..3	N	

Comment:

Qualifier 114 used to state total prepaid franking amount
 Qualifier 157 udes for insurance value of a single item

Example:

MOA+114:99:NOK'

BIG14

IFTMIN

Group: **SG18** Status: R Max. Occ.: 999 GID-TMP-RNG-MOA-PIA-FTX-SG20-SG21-SG22-SG23-SG32

Segment: **PIA** Seq. No.: 46 Level: 2 **Additional product id**
 Status: C Max. Occ.: 1

Description of segment: To specify additional or substitutional item identification codes.

EDIFACT			Application	
Tag	Name	Format	St	Use / Comments
4347	Product identifier code qualifier	an..3	M	5 = Product identification
C212	Item number identification		M	
7140	Item identifier	an..35	C	Item number
7143	Item type identification code	an..3	C	MF = Manufacturer's (producer's) article number
1131	Code list identification code	an..17	N	
3055	Code list responsible agency code	an..3	N	
C212	Item number identification		N	
7140	Item identifier	an..35	N	
7143	Item type identification code	an..3	N	
1131	Code list identification code	an..17	N	
3055	Code list responsible agency code	an..3	N	
C212	Item number identification		N	
7140	Item identifier	an..35	N	
7143	Item type identification code	an..3	N	
1131	Code list identification code	an..17	N	
3055	Code list responsible agency code	an..3	N	
C212	Item number identification		N	
7140	Item identifier	an..35	N	
7143	Item type identification code	an..3	N	
1131	Code list identification code	an..17	N	
3055	Code list responsible agency code	an..3	N	
C212	Item number identification		N	
7140	Item identifier	an..35	N	
7143	Item type identification code	an..3	N	
1131	Code list identification code	an..17	N	
3055	Code list responsible agency code	an..3	N	

Comment:

Only used by Bring Frigo Norway for fresh fish

Example:

PIA+5+1011:MF'

BIG14

IFTMIN

Group: **SG18** Status: R Max. Occ.: 999 GID-TMP-RNG-MOA-PIA-FTX-SG20-SG21-SG22-SG23-SG32

Segment: **PIA** Seq. No.: 47 Level: 2 **Additional product id**
 Status: C Max. Occ.: 2

Description of segment: To specify additional or substitutional item identification codes.

EDIFACT			Application	
Tag	Name	Format	St	Use / Comments
4347	Product identifier code qualifier	an..3	M	1 = Additional identification
C212	Item number identification		M	
7140	Item identifier	an..35	C	Tariff/statistical number
7143	Item type identification code	an..3	C	HS = Harmonised System
1131	Code list identification code	an..17	N	
3055	Code list responsible agency code	an..3	N	
C212	Item number identification		N	
7140	Item identifier	an..35	N	
7143	Item type identification code	an..3	N	
1131	Code list identification code	an..17	N	
3055	Code list responsible agency code	an..3	N	
C212	Item number identification		N	
7140	Item identifier	an..35	N	
7143	Item type identification code	an..3	N	
1131	Code list identification code	an..17	N	
3055	Code list responsible agency code	an..3	N	
C212	Item number identification		N	
7140	Item identifier	an..35	N	
7143	Item type identification code	an..3	N	
1131	Code list identification code	an..17	N	
3055	Code list responsible agency code	an..3	N	
C212	Item number identification		N	
7140	Item identifier	an..35	N	
7143	Item type identification code	an..3	N	
1131	Code list identification code	an..17	N	
3055	Code list responsible agency code	an..3	N	

Comment:

Example:

PIA+1+7411220000:HS'

BIG14

IFTMIN

Group: **SG18** Status: R Max. Occ.: 999 GID-TMP-RNG-MOA-PIA-FTX-SG20-SG21-SG22-SG23-SG32

Segment: **FTX** Seq. No.: 48 Level: 2 **Free text**
Status: C Max. Occ.: 1

Description of segment: A segment to specify processable supplementary information relating to the goods item.

EDIFACT			Application	
Tag	Name	Format	St	Use / Comments
4451	Text subject code qualifier	an..3	M	AAA = Goods description 4 = No action required
4453	Free text function code	an..3	C	
C107	Text reference		N	
4441	Free text description code	an..17	N	
1131	Code list identification code	an..17	N	
3055	Code list responsible agency code	an..3	N	
C108	Text literal		C	
4440	Free text	an..512	C	Goods decscription
4440	Free text	an..512	N	
4440	Free text	an..512	N	
4440	Free text	an..512	N	
3453	Language name code	an..3	N	
4447	Free text format code	an..3	N	

Comment:

Segment required for Bring Cargo

Example:

FTX+AAA+4++Dekk på felg'

BIG14

IFTMIN

Group: **SG18** Status: R Max. Occ.: 999 GID-TMP-RNG-MOA-PIA-FTX-SG20-SG21-SG22-SG23-SG32

Segment: **FTX** Seq. No.: 49 Level: 2 **Free text**
Status: C Max. Occ.: 1

Description of segment: A segment to specify processable supplementary information relating to the goods item.

EDIFACT			Application		
Tag	Name	Format	St	Use / Comments	
4451	Text subject code qualifier	an..3	M	INS = Insurance information 4 = No action required	
4453	Free text function code	an..3	C		
C107	Text reference		N		
4441	Free text description code	an..17	N		
1131	Code list identification code	an..17	N		
3055	Code list responsible agency code	an..3	N		
C108	Text literal		C		
4440	Free text	an..512	C		Insurance acknowledgement
4440	Free text	an..512	N		
4440	Free text	an..512	N		
4440	Free text	an..512	N		
3453	Language name code	an..3	N		
4447	Free text format code	an..3	N		

Comment:

Segment to be used for insurance request

Insurance value in MOA+157 and Mail address to consignor (NAD+CZ) is required

Example:

FTX+INS+4++Y'

BIG14

IFTMIN

Group: **SG18** Status: R Max. Occ.: 999 GID-TMP-RNG-MOA-PIA-FTX-SG20-SG21-SG22-SG23-SG32

Group: **SG20** Status: C Max. Occ.: 99 MEA

Segment: **MEA** Seq. No.: 50 Level: 2 **Measurements**
Status: M Max. Occ.: 1

Description of segment: A segment to specify measurements, other than dimensions, applicable to a goods item.

EDIFACT			Application	
Tag	Name	Format	St	Use / Comments
6311	Measurement purpose code qualifier	an..3	M	CT = Counts LMT = Loading meters VOL = Volume WT = Weights AAL = Net weight AAW = Gross volume ACV = Loading meters G = Gross weight SQ = Shipped quantity Must be used when stated pieces
C502	Measurement details		C	
6313	Measured attribute code	an..3	C	
6321	Measurement significance code	an..3	N	
6155	Non-discrete measurement name code	an..17	N	
6154	Non-discrete measurement name	an..70	N	
C174	Value/range		C	
6411	Measurement unit code	an..8	M	
6314	Measure	an..18	C	
6162	Range minimum quantity	n..18	N	
6152	Range maximum quantity	n..18	N	
6432	Significant digits quantity	n..2	N	
7383	Surface or layer code	an..3	N	

Comment:

Weight and/or volume is normally not required for Bring Parcels (BPN and BPI)

Only Gross weight and/or Gross Volume is valid for transport purpose

Net weight/Litre to be used for dangerous goods, when it's mandatory for special material

Example:

MEA+WT+AAW+KGM:40'

MEA+VOL+AAW+DMQ:96'

MEA+WT+G+GRM:525'

MEA+WT+G+KGM:1.5''

MEA+ABT+SQ+PCS:44'

MEA+VOL+AAW+LTR:05'

BIG14

IFTMIN

Group: **SG18** Status: R Max. Occ.: 999 GID-TMP-RNG-MOA-PIA-FTX-SG20-SG21-SG22-SG23-SG32

Group: **SG21** Status: C Max. Occ.: 1 DIM

Segment: **DIM** Seq. No.: 51 Level: 2 **Dimensions**
Status: M Max. Occ.: 1

Description of segment: To specify dimensions applicable to a goods item.

EDIFACT			Application		
Tag	Name	Format	St	Use / Comments	
6145	Dimension type code qualifier	an..3	M	2 = Package dimensions (including goods) CMT = centimetre DMT = decimetre MTR = metre	
C211	Dimensions		M		
6411	Measurement unit code	an..8	M		
6168	Length measure	n..15	C		Length
6140	Width measure	n..15	C		Width
6008	Height measure	n..15	C		Height

Comment:

Example:

DIM+2+CMT:60:50:100'

BIG14

IFTMIN

Group: **SG18** Status: R Max. Occ.: 999 GID-TMP-RNG-MOA-PIA-FTX-SG20-SG21-SG22-SG23-SG32

Group: **SG22** Status: C Max. Occ.: 3 RFF

RFF ON to be used by Bring Cargo NO

Segment: **RFF** Seq. No.: 52 Level: 2 **Reference**
 Status: M Max. Occ.: 1

Description of segment: A segment to identify a reference to a goods item.

EDIFACT			Application	
Tag	Name	Format	St	Use / Comments
C506	Reference		M	
1153	Reference code qualifier	an..3	M	AAQ = Unit load device (e.g. container) identification number SN = Seal number
1154	Reference identifier	an..70	C	Identification number/seal number
1156	Document line identifier	an..6	N	
4000	Reference version identifier	an..35	N	
1060	Revision identifier	an..6	N	

Comment:

Example:

RFF+AAQ:NC006D'

BIG14

IFTMIN

Group: **SG18** Status: R Max. Occ.: 999 GID-TMP-RNG-MOA-PIA-FTX-SG20-SG21-SG22-SG23-SG32

Group: **SG22** Status: C Max. Occ.: 1 RFF

Segment: **RFF** Seq. No.: 53 Level: 2 **Reference**
 Status: M Max. Occ.: 1

Description of segment: A segment to identify a reference to a goods item.

EDIFACT			Application	
Tag	Name	Format	St	Use / Comments
C506	Reference		M	
1153	Reference code qualifier	an..3	M	AQW = State or province assigned entity identification
1154	Reference identifier	an..70	C	Identification for place and plant
1156	Document line identifier	an..6	N	
4000	Reference version identifier	an..35	N	
1060	Revision identifier	an..6	N	

Comment:

Only used by Bring Frigo Norway to state packing place and plant - content to be agreed

Example:

RFF+AQW:H109'

BIG14

IFTMIN

Group: **SG18** Status: R Max. Occ.: 999 GID-TMP-RNG-MOA-PIA-FTX-SG20-SG21-SG22-SG23-SG32

Group: **SG23** Status: C Max. Occ.: 999 PCI-RFF-GIN

Segment: **PCI** Seq. No.: 54 Level: 2 **Package identification**
 Status: M Max. Occ.: 1

Description of segment: A segment to specify marks and numbers of a goods item.

EDIFACT			Application	
Tag	Name	Format	St	Use / Comments
4233	Marking instructions code	an..3	C	18 = Carrier's instructions Code 39 24 = Shipper assigned Other 28 = Mark free text Use only for international transports 30 = Mark serial shipping container code UCC/EAN-128 SSCC (Serial shipping container code)
C210	Marks & labels		C	
7102	Shipping marks description	an..35	M	Package identification AI should not be a part of SSCC DI should not be a part of FACT License Plate
7102	Shipping marks description	an..35	N	
7102	Shipping marks description	an..35	N	
7102	Shipping marks description	an..35	N	
7102	Shipping marks description	an..35	N	
7102	Shipping marks description	an..35	N	
7102	Shipping marks description	an..35	N	
7102	Shipping marks description	an..35	N	
7102	Shipping marks description	an..35	N	
7102	Shipping marks description	an..35	N	
8275	Container or package contents indicator code	an..3	N	
C827	Type of marking		N	
7511	Marking type code	an..3	N	
1131	Code list identification code	an..17	N	
3055	Code list responsible agency code	an..3	N	

Comment:

Segment required for Bring Parcels
 Only one PCI per package allowed

Example:

PCI+30+37040460000010750'

BIG14

IFTMIN

Group: **SG18** Status: R Max. Occ.: 999 GID-TMP-RNG-MOA-PIA-FTX-SG20-SG21-SG22-SG23-SG32

Group: **SG23** Status: C Max. Occ.: 999 PCI-RFF-GIN

Segment: **RFF** Seq. No.: 55 Level: 3 **Reference**
 Status: C Max. Occ.: 1

Description of segment: A segment to identify a reference relating to the marks and numbers.

EDIFACT			Application	
Tag	Name	Format	St	Use / Comments
C506	Reference		M	
1153	Reference code qualifier	an..3	M	CW = Package number
1154	Reference identifier	an..70	C	Package id
1156	Document line identifier	an..6	N	
4000	Reference version identifier	an..35	N	
1060	Revision identifier	an..6	N	

Comment:

This segment is used to state original package id issued by consignor.

Example:

RFF+CW:123456'

BIG14

IFTMIN

Group: **SG18** Status: R Max. Occ.: 999 GID-TMP-RNG-MOA-PIA-FTX-SG20-SG21-SG22-SG23-SG32

Group: **SG23** Status: C Max. Occ.: 999 PCI-RFF-GIN

Segment: **GIN** Seq. No.: 56 Level: 3 **Goods identity number**
Status: C Max. Occ.: 1

Description of segment: To give specific identification numbers, either as single numbers or ranges.

EDIFACT			Application	
Tag	Name	Format	St	Use / Comments
7405	Object identification code qualifier	an..3	M	ZON = Purchase Order number
C208	Identity number range		M	
7402	Object identifier	an..35	M	
7402	Object identifier	an..35	N	
C208	Identity number range		C	
7402	Object identifier	an..35	M	
7402	Object identifier	an..35	N	
C208	Identity number range		C	
7402	Object identifier	an..35	M	
7402	Object identifier	an..35	N	
C208	Identity number range		C	
7402	Object identifier	an..35	M	
7402	Object identifier	an..35	N	
C208	Identity number range		C	
7402	Object identifier	an..35	M	
7402	Object identifier	an..35	N	

Comment:

Segment used for linking Purchase order number to package id.

Example:

GIN+ZON+4502633099+4502633021+X+X+X'

BIG14

IFTMIN

Group:	SG18	Status: R	Max. Occ.: 999	GID-TMP-RNG-MOA-PIA-FTX-SG20-SG21-SG22-SG23-SG32
Group:	SG32	Status: C	Max. Occ.: 99	DGS-FTX-SG34
Segment:	DGS	Seq. No.: 57 Status: M	Level: 2 Max. Occ.: 1	Dangerous goods

Description of segment: A segment to indicate the class of dangerous goods, packing group, etc.

EDIFACT			Application	
Tag	Name	Format	St	Use / Comments
8273	Dangerous goods regulations code	an..3	M	ADR = European agreement on the international carriage of dangerous goods on road (ADR) ICA = IATA ICAO IMD = IMO IMDG code
C205	Hazard code		R	
8351	Hazard identification code	an..7	M	Hazard identification code
8078	Additional hazard classification identifier	an..7	C	Additional Hazard Classification Identifier
8092	Hazard code version identifier	an..10	N	
C234	UNDG information		M	
7124	United Nations Dangerous Goods (UNDG) identifier	n4	M	UNDG identifier
7088	Dangerous goods flashpoint description	an..8	N	
C223	Dangerous goods shipment flashpoint		N	
7106	Shipment flashpoint degree	n3	N	
6411	Measurement unit code	an..8	N	
8339	Packaging danger level code	an..3	M	1 = Great danger 2 = Medium danger 3 = Minor danger
8364	Emergency procedure for ships identifier	an..6	M	Tunnel code
8410	Hazard medical first aid guide identifier	an..4	N	
8126	Transport emergency card identifier	an..10	N	
C235	Hazard identification placard details		N	
8158	Orange hazard placard upper part identifier	an..4	N	
8186	Orange hazard placard lower part identifier	an4	N	
C236	Dangerous goods label		N	
8246	Dangerous goods marking identifier	an..4	N	
8246	Dangerous goods marking identifier	an..4	N	
8246	Dangerous goods marking identifier	an..4	N	
8255	Packing instruction type code	an..3	N	

BIG14**IFTMIN**

EDIFACT			Application	
Tag	Name	Format	St	Use / Comments
8325	Hazardous means of transport category code	an..3	N	
8211	Hazardous cargo transport authorisation code	an..3	N	

Comment:

This segment is mandatory if goods item is a type of dangerous goods

Example:

DGS+ADR+5.1:(6.1?+8)+1463++2+(E)'

BIG14

IFTMIN

Group: **SG18** Status: R Max. Occ.: 999 GID-TMP-RNG-MOA-PIA-FTX-SG20-SG21-SG22-SG23-SG32

Group: **SG32** Status: C Max. Occ.: 99 DGS-FTX-SG34

Segment: **FTX** Seq. No.: 58 Level: 3 **Free text**
Status: C Max. Occ.: 1

Description of segment: To provide free form or coded text information.

EDIFACT			Application		
Tag	Name	Format	St	Use / Comments	
4451	Text subject code qualifier	an..3	M	AAC = Dangerous goods, additional information	
4453	Free text function code	an..3	N		
C107	Text reference		N		
4441	Free text description code	an..17	N		
1131	Code list identification code	an..17	N		
3055	Code list responsible agency code	an..3	N		
C108	Text literal		C		
4440	Free text	an..512	C		PNG (Prefix for number of points)
4440	Free text	an..512	C		Total number of dangerous goods points
4440	Free text	an..512	N		
4440	Free text	an..512	N		
3453	Language name code	an..3	N		
4447	Free text format code	an..3	N		

Comment:

FTX+AAC to be used for Total number of Points

Example:

FTX+AAC+++PNG:720'

BIG14

IFTMIN

Group: **SG18** Status: R Max. Occ.: 999 GID-TMP-RNG-MOA-PIA-FTX-SG20-SG21-SG22-SG23-SG32

Group: **SG32** Status: C Max. Occ.: 99 DGS-FTX-SG34

Segment: **FTX** Seq. No.: 59 Level: 3 **Free text**
Status: C Max. Occ.: 1

Description of segment: To provide free form or coded text information.

EDIFACT			Application		
Tag	Name	Format	St	Use / Comments	
4451	Text subject code qualifier	an..3	M	AAD = Dangerous goods, technical name	
4453	Free text function code	an..3	C		
C107	Text reference		C		
4441	Free text description code	an..17	M		
1131	Code list identification code	an..17	N		
3055	Code list responsible agency code	an..3	N		
C108	Text literal		C		
4440	Free text	an..512	C		Dangerous goods, technical name
4440	Free text	an..512	N		
4440	Free text	an..512	N		
4440	Free text	an..512	N		
3453	Language name code	an..3	N		
4447	Free text format code	an..3	N		

Comment:

FTX+AAD to be used for technical name for N.O.S. (Not Otherwise Specified Entry)

Example:

FTX+AAD+++Dangerous Goods Technical Name N.O.S.'

BIG14

IFTMIN

Group:	SG18	Status: R	Max. Occ.: 999	GID-TMP-RNG-MOA-PIA-FTX-SG20-SG21-SG22-SG23-SG32
Group:	SG32	Status: C	Max. Occ.: 99	DGS-FTX-SG34
Group:	SG34	Status: C	Max. Occ.: 1	MEA
Segment:	MEA	Seq. No.: 60 Status: C	Level: 3 Max. Occ.: 1	Measurements

Description of segment: To specify physical measurements, including dimension tolerances, weights and counts.

EDIFACT			Application	
Tag	Name	Format	St	Use / Comments
6311	Measurement purpose code qualifier	an..3	M	VOL = Volume WT = Weights
C502	Measurement details		C	
6313	Measured attribute code	an..3	C	AAL = Net weight
6321	Measurement significance code	an..3	N	
6155	Non-discrete measurement name code	an..17	N	
6154	Non-discrete measurement name	an..70	N	
C174	Value/range		C	
6411	Measurement unit code	an..8	M	GRM = gram KGM = kilogram LTR = Litre
6314	Measure	an..18	C	
6162	Range minimum quantity	n..18	N	
6152	Range maximum quantity	n..18	N	
6432	Significant digits quantity	n..2	N	
7383	Surface or layer code	an..3	N	

Comment:

Net weight/Litre to be used for dangerous goods, when it's mandatory for special material

Example:

MEA+WT+AAL+KGM:40'
MEA+WT+AAL+GRM:525'
MEA+VOL++LTR:5.5'

BIG14

IFTMIN

Group: **SG37** Status: C Max. Occ.: 2 EQD-EQN

Segment: **EQD** Seq. No.: 61 Level: 1 **Equipment details**
 Status: M Max. Occ.: 1

Description of segment: A segment to specify equipment, and equipment size and type used in the transport.

EDIFACT			Application		
Tag	Name	Format	St	Use / Comments	
8053	Equipment type code qualifier	an..3	M	CN = Container EFP = Exchangeable EUR flat pallet PA = Pallet 12 = Europallet 44 = 20 ft IL container (closed top) 45 = 40 ft IL container (closed top) 1 = Shipper supplied 2 = Carrier supplied 5 = Third party supplied	
C237	Equipment identification		C		
8260	Equipment identifier	an..17	C		Container identity
1131	Code list identification code	an..17	N		
3055	Code list responsible agency code	an..3	N		
3207	Country name code	an..3	N		
C224	Equipment size and type		C		
8155	Equipment size and type description code	an..10	C		
1131	Code list identification code	an..17	N		
3055	Code list responsible agency code	an..3	N		
8154	Equipment size and type description	an..35	N		
8077	Equipment supplier code	an..3	C		
8249	Equipment status code	an..3	N		
8169	Full or empty indicator code	an..3	N		

Comment:

EQD+PA' - total number of pallets

EQD+EFP' - total number of exchangeable pallets

Example:

EQD+CN+NC044D+44+1'

BIG14

IFTMIN

Group: **SG37** Status: C Max. Occ.: 2 EQD-EQN

Segment: **EQN** Seq. No.: 62 Level: 2 **Number of units**
 Status: C Max. Occ.: 1

Description of segment: A segment to specify number of pieces of equipment required.

EDIFACT			Application	
Tag	Name	Format	St	Use / Comments
C523	Number of unit details		M	
6350	Units quantity	n..15	C	Number of pallets
6353	Unit type code qualifier	an..3	N	

Comment:

Example:
EQN+9'

BIG14

IFTMIN

Segment: **UNT** Seq. No.: 63 Level: 0 **Message trailer**
 Status: M Max. Occ.: 1

Description of segment: A service segment ending a message, giving the total number of segments in the message (including the UNH & UNT) and the control reference number of the message.

EDIFACT			Application	
Tag	Name	Format	St	Use / Comments
0074	Number of segments in the message	n..6	M	
0062	Message reference number	an..14	M	

Comment:

Example:

UNT+61+1234'

BIG14**IFTMIN**

Segment: **UNZ** Seq. No.: 64 Level: 0 **Interchange trailer**
Status: M Max. Occ.: 1

Description of segment: To end and check the completeness of an interchange.

EDIFACT			Application	
Tag	Name	Format	St	Use / Comments
0036	Interchange control count	n..6	M	
0020	Interchange control reference	an..14	M	

Comment:**Example:**

UNZ+1+1234567890'

BIG14

IFTMIN

Example message

No.	Tag	Example
01	UNA	UNA:+. ? ' UNA:+, ? '
02	UNB	UNB+UNOC:3+NO0987654321:30+7080003248381:14+101201:1105+1234567 890++CONSIGNOR++1++1 '
03	UNH	UNH+1234+IFTMIN:D:04A:UN:BIG14 '
04	BGM	BGM+610+70123451234567898+1 '
05	CTA	CTA+BK+:EDI dep./ Eva HW '
06	COM	COM+eva.hw@bring.com:EM '
07	DTM	DTM+137:20100810:102 '
08	DTM	DTM+234:20100810:102 '
09	MOA	MOA+22:4530:NOK '
10	FTX	FTX+PRD+++1020:X '
11	FTX	FTX+SSR+++1076:ME01NO '
12	FTX	FTX+TRR+++DAVA '
13	FTX	FTX+DEL+++Call 911 before delivery '
14	FTX	FTX+AAR+++0022 '
15	CNT	CNT+11:9:PCE '
16	GDS	GDS+11 '
	SG2	
17	TOD	TOD+5+CC '
	SG2	
18	TOD	TOD+6++EXW:INCOTERMS2010 '
19	LOC	LOC+1+3000::139:Drammen+NO '
	SG3	
20	RFF	RFF+CMR:70701020000000034 '
	SG3	
21	RFF	RFF+IV:867 '
22	DTM	DTM+171:20100923:102 '
	SG8	
23	TDT	TDT+20++3++BCS::87 '
24	TSR	TSR+ALY '
	SG9	
25	LOC	LOC+202+1000::87:Bring Logistics, Oslo '
	SG11	
26	NAD	NAD+CZ+10009999999::87++Bring IKT:X+Biskop Gunnerusgate 14 A:18 etg.+OSLO++0001+NO '
27	LOC	LOC+202+20000::87 '
	SG12	

BIG14

IFTMIN

Example message

No.	Tag	Example
28	CTA	CTA+IC+:Kalle'
29	COM	COM+?+4723249852:TE'
	SG12	
30	CTA	CTA+AA'
31	COM	COM+email@frigo.com:EM'
	SG15	
32	RFF	RFF+ACD:23456'
	SG11	
33	NAD	NAD+FP+10009999999::87++Bring IKT+Biskop Gunnerusgate 14 A:18 e tg.+OSLO++0001+NO' NAD+FP+10000089989::87' NAD+FP+0583516:FMI:87' (for Franking Machine)
34	LOC	LOC+202+20000::87'
	SG12	
35	CTA	CTA+IC'
36	COM	COM+?+4723249852:TE'
	SG11	
37	NAD	NAD+PW+++Backer?'s Corner+Ravnkroken 12:1 etg.+OSLO++1254+NO'
	SG12	
38	CTA	CTA+IC'
39	COM	COM+?+4798765432:TE'
	SG11	
40	NAD	NAD+PE+++Pan Audit Co+Hallingkastet 6:hus 3+BERGEN++5000+NO'
	SG15	
41	RFF	RFF+ADE:52020599227'
	SG18	
42	GID	GID+1+1:201:::Pallet'
43	TMP	TMP+1+-15:CEL'
44	RNG	RNG+12+CEL:4:8'
45	MOA	MOA+114:99:NOK'
46	PIA	PIA+5+1011:MF'
47	PIA	PIA+1+7411220000:HS'
48	FTX	FTX+AAA+4++Dekk på felg'
49	FTX	FTX+INS+4++Y'
	SG20	

BIG14

IFTMIN

Example message

No.	Tag	Example
50	MEA	MEA+WT+AAW+KGM:40' MEA+VOL+AAW+DMQ:96' MEA+WT+G+GRM:525' MEA+WT+G+KGM:1.5' MEA+ABT+SQ+PCS:44' MEA+VOL+AAW+LTR:05'
	SG21	
51	DIM	DIM+2+CMT:60:50:100'
	SG22	
52	RFF	RFF+AAQ:NC006D'
	SG22	
53	RFF	RFF+AQW:H109'
	SG23	
54	PCI	PCI+30+370404600000010750'
55	RFF	RFF+CW:123456'
56	GIN	GIN+ZON+4502633099+4502633021+X+X+X'
	SG32	
57	DGS	DGS+ADR+5.1:(6.1?+8)+1463++2+(E)'
58	FTX	FTX+AAC+++PNG:720'
59	FTX	FTX+AAD+++Dangerous Goods Technical Name N.O.S.'
	SG34	
60	MEA	MEA+WT+AAL+KGM:40' MEA+WT+AAL+GRM:525' MEA+VOL+++LTR:5.5'
	SG37	
61	EQD	EQD+CN+NC044D+44+1'
62	EQN	EQN+9'
63	UNT	UNT+61+1234'
64	UNZ	UNZ+1+1234567890'