



Message Implementation Guideline

## **BIG07 IFTSTA Event and Delivery Report**

based on

### **IFTSTA**

International multimodal status report message

### **UN D.04A S3**

Version: 1  
Variant: 1  
Issue date: 2017-01-03  
Author: Eva H Walldow

---

1 Message Structure .....	3
2 Branching Diagram .....	4
3 Segments .....	7
4 Example .....	31



**Structure / Table of Contents**

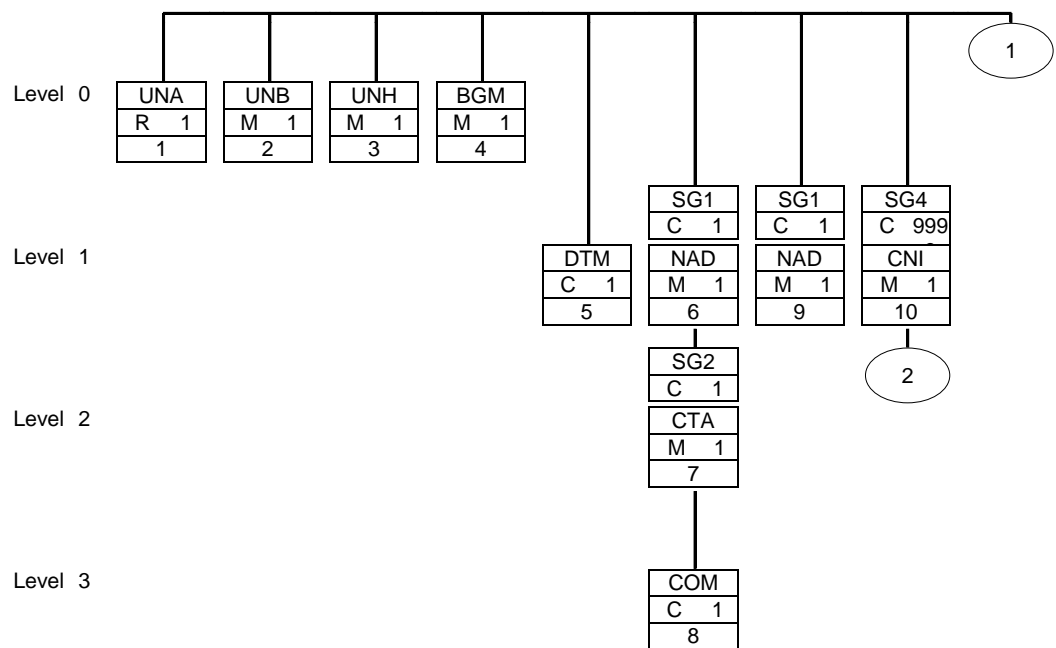
Counter	No	Tag	St	MaxOcc	Level	Content
0000	1	UNA	R	1	0	Service string advice
0000	2	UNB	M	1	0	Interchange header
0010	3	UNH	M	1	0	Message header
0020	4	BGM	M	1	0	Beginning of message
0030	5	DTM	C	1	1	Date/time/period
0050		SG1	C	1	1	NAD-SG2
0060	6	NAD	M	1	1	Name and address
0070		SG2	C	1	2	CTA-COM
0080	7	CTA	M	1	2	Contact information
0090	8	COM	C	1	3	Communication contact
0050		SG1	C	1	1	NAD
0060	9	NAD	M	1	1	Name and address
0160		SG4	C	99999	1	CNI-SG5
0170	10	CNI	M	1	1	Consignment information
0200		SG5	M	99	2	STS-RFF-DTM-FTX-SG6-LOC-SG14
0210	11	STS	M	1	2	Status
0220	12	RFF	C	1	3	Reference
0230	13	DTM	C	1	3	Date/time/period
0250	14	FTX	C	1	3	Free text
0260		SG6	C	1	3	NAD
0270	15	NAD	M	1	3	Name and address
0310	16	LOC	C	1	3	Place/location identification
0570		SG14	C	1	3	GID-SG17
0580	17	GID	M	1	3	Goods item details
0720		SG17	C	99	4	PCI-GIN
0730	18	PCI	M	1	4	Package identification
0740	19	GIN	C	1	5	Goods identity number
0780	20	UNT	M	1	0	Message trailer
0000	21	UNZ	M	1	0	Interchange trailer

Counter = Counter of segment/group within the standard  
 No = Consecutive segment number  
 MaxOcc = Maximum occurrence of the segment/group

St = Status  
 EDIFACT: M=Mandatory, C=Conditional  
 User specific: R=Required, O=Optional, D=Dependent,  
 A=Advised, N=Not used

## BIG07 IFTSTA Event and Delivery Report

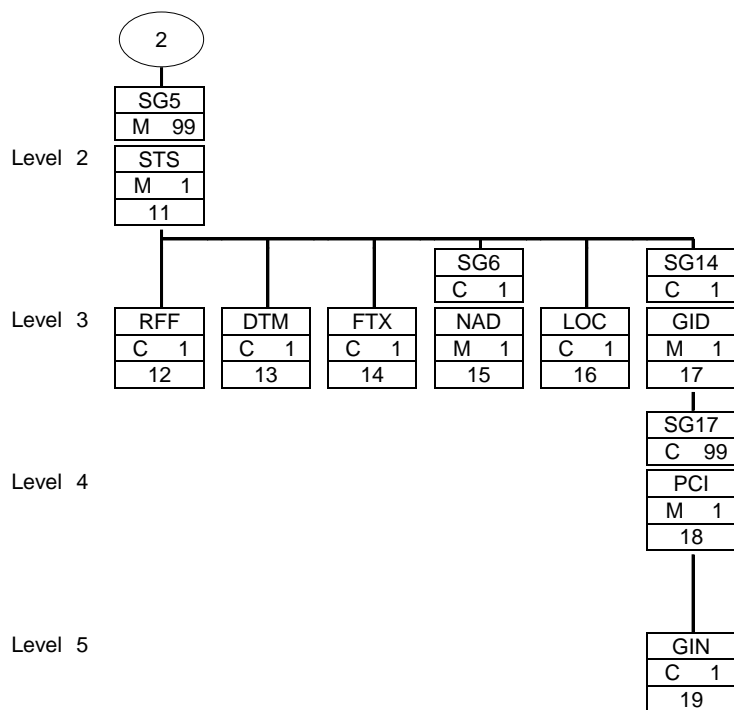
### IFTSTA



This is a branching diagram. Every variant of a segment or segment group described in the MIG appears exactly one times. The letters M and R characterise a 'mandatory' application status, whereas O means optional. The letter D is used for 'dependent' and the dependency will be described in comments. The number on the right-hand side explains the maximum occurrence of this segment or segment group. The undermost number is the consecutive number of the segment within the guide.

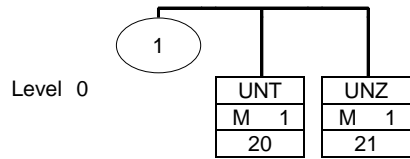
# BIG07 IFTSTA Event and Delivery Report

## IFTSTA



This is a branching diagram. Every variant of a segment or segment group described in the MIG appears exactly one times. The letters M and R characterise a 'mandatory' application status, whereas O means optional. The letter D is used for 'dependent' and the dependency will be described in comments. The number on the right-hand side explains the maximum occurrence of this segment or segment group. The undermost number is the consecutive number of the segment within the guide.

## IFTSTA



This is a branching diagram. Every variant of a segment or segment group described in the MIG appears exactly one times. The letters M and R characterise a 'mandatory' application status, whereas O means optional. The letter D is used for 'dependent' and the dependency will be described in comments. The number on the right-hand side explains the maximum occurrence of this segment or segment group. The undermost number is the consecutive number of the segment within the guide.

## BIG07 IFTSTA Event and Delivery Report

### IFTSTA

Segment: **UNA**      Seq. No.: 1      Level: 0      Service string advice  
 Status: R      Max. Occ.: 1

**Description of segment:** The service string advice shall begin with the upper case UNA immediately followed by six characters in the order shown below.

EDIFACT			Application	
Tag	Name	Format	St	Use / Comments
UNA1	Component data element separator	an1	M	: = Component data element separator
UNA2	Data element separator	an1	M	+ = Data element separator
UNA3	Decimal notation	an1	M	Decimal mark may be . (point) or , (comma) . = Decimal notation
UNA4	Release indicator	an1	M	? = Release indicator
UNA5	Reserved for future use	an1	M	
UNA6	Segment terminator	an1	M	' = Segment terminator

**Comment:**

**Example:**

UNA:+.? '

## BIG07 IFTSTA Event and Delivery Report

### IFTSTA

Segment: **UNB** Seq. No.: 2 Level: 0 Interchange header  
 Status: M Max. Occ.: 1

**Description of segment:** To identify an interchange.

**Notes:**

1. S001/0002 shall be 3 to indicate this version of the syntax.
2. The combination of the values carried in data elements S002, S003 and 0020 shall be used to identify uniquely the interchange, for the purpose of acknowledgement.

EDIFACT			Application	
Tag	Name	Format	St	Use / Comments
S001	Syntax identifier		M	
0001	Syntax identifier	a4	M	<b>UNOC = UN/ECE level C</b>
0002	Syntax version number	n1	M	<b>3 = Version 3</b>
S002	Interchange sender		M	
0004	Sender identification	an..35	M	Sender's EDI-ID
0007	Partner identification code qualifier	an..4	C	<b>14 = EAN International</b>
0008	Address for reverse routing	an..14	N	
S003	Interchange recipient		M	
0010	Recipient identification	an..35	M	Receiver's EDI-ID
0007	Partner identification code qualifier	an..4	C	<b>14 = EAN International</b> <b>30 = ISO 6523: Organization identification</b>
0014	Routing address	an..14	N	
S004	Date/time of preparation		M	
0017	Date of preparation	n6	M	Date of preparation, format YYMMDD
0019	Time of preparation	n4	M	Time of preparation, format HHMM
0020	Interchange control reference	an..14	M	Interchange control reference (same as UNZ/0020)
S005	Recipient's reference, password		N	
0022	Recipient's reference/password	an..14	N	
0025	Recipient's reference/password qualifier	an2	N	
0026	Application reference	an..14	N	
0029	Processing priority code	a1	N	
0031	Acknowledgement request	n1	N	
0032	Communications agreement ID	an..35	N	
0035	Test indicator	n1	C	<b>1 = Interchange is a test</b>

**Comment:**

Values are only used as examples and will be replaced by relevant data

**Example:**

UNB+UNOC:3+7080003248381:14+NO0987654321:30+130508:1301+12345+++++1'



## BIG07 IFTSTA Event and Delivery Report

### IFTSTA

Segment: **UNH** Seq. No.: 3 Level: 0 Message header  
 Status: M Max. Occ.: 1

**Description of segment:** A service segment starting and uniquely identifying a message. The message type code for the International multimodal status report message is IFTSTA.

Note:  
 International multimodal status report messages conforming to this document must contain the following data in segment UNH, composite S009:

Data element 0065 IFTSTA  
 0052 D  
 0054 04A  
 0051 UN

EDIFACT			Application	
Tag	Name	Format	St	Use / Comments
0062	Message reference number	an..14	M	Message reference number
S009	Message identifier		M	
0065	Message type	an..6	M	<b>IFTSTA = International multimodal status report message</b>
0052	Message version number	an..3	M	<b>D = Draft version/UN/EDIFACT Directory</b>
0054	Message release number	an..3	M	<b>04A = Release 2004 - A</b>
0051	Controlling agency	an..2	M	<b>UN = UN/CEFACT</b>
0057	Association assigned code	an..6	C	
0068	Common access reference	an..35	N	
S010	Status of the transfer		N	
0070	Sequence of transfers	n..2	N	
0073	First and last transfer	a1	N	

**Comment:**

**Example:**

UNH+999+IFTSTA:D:04A:UN:BIG07'

## BIG07 IFTSTA Event and Delivery Report

### IFTSTA

Segment: **BGM** Seq. No.: 4 Level: 0 Beginning of message  
 Status: M Max. Occ.: 1

**Description of segment:** A segment indicating the beginning of a message and identifying the consignment for which status is being reported.

EDIFACT			Application		
Tag	Name	Format	St	Use / Comments	
C002	Document/message name		C	<b>77 = Consignment status report</b>	
1001	Document name code	an..3	C		
1131	Code list identification code	an..17	N		
3055	Code list responsible agency code	an..3	N		
1000	Document name	an..35	N		
C106	Document/message identification		C		
1004	Document identifier	an..35	C		Bring Consignment number
1056	Version identifier	an..9	N		
1060	Revision identifier	an..6	N		
1225	Message function code	an..3	C		<b>9 = Original</b>
4343	Response type code	an..3	N		

**Comment:**

**Example:**

BGM+77+5401163927+9'

## BIG07 IFTSTA Event and Delivery Report

### IFTSTA

Segment: **DTM** Seq. No.: 5 Level: 1 Date/time/period  
 Status: C Max. Occ.: 1

**Description of segment:** A segment indicating the date of the message.

EDIFACT			Application	
Tag	Name	Format	St	Use / Comments
C507	Date/time/period		M	
2005	Date or time or period function code qualifier	an..3	M	<b>137 = Document/message date/time</b>
2380	Date or time or period text	an..35	C	Document/message creation date/time
2379	Date or time or period format code	an..3	C	<b>203 = CCYYMMDDHHMM</b> <b>102 = CCYYMMDD</b>

**Comment:**

**Example:**

DTM+137:201305081210:203'



## BIG07 IFTSTA Event and Delivery Report

### IFTSTA

**Group:** **SG1** Status: C Max. Occ.: 1 NAD-SG2  
**Segment:** **NAD** Seq. No.: 6 Level: 1 Name and address  
 Status: M Max. Occ.: 1

**Description of segment:** A segment identifying a party to the consignment such as shipper or consignee.

EDIFACT			Application	
Tag	Name	Format	St	Use / Comments
3035	Party function code qualifier	an..3	M	<b>MS = Document/message issuer/sender</b>
C082	Party identification details		N	
3039	Party identifier	an..35	N	
1131	Code list identification code	an..17	N	
3055	Code list responsible agency code	an..3	N	
C058	Name and address		N	
3124	Name and address description	an..35	N	
3124	Name and address description	an..35	N	
3124	Name and address description	an..35	N	
3124	Name and address description	an..35	N	
3124	Name and address description	an..35	N	
C080	Party name		N	
3036	Party name	an..35	N	
3036	Party name	an..35	N	
3036	Party name	an..35	N	
3036	Party name	an..35	N	
3036	Party name	an..35	N	
3045	Party name format code	an..3	N	
C059	Street		N	
3042	Street and number or post office box identifier	an..35	N	
3042	Street and number or post office box identifier	an..35	N	
3042	Street and number or post office box identifier	an..35	N	
3042	Street and number or post office box identifier	an..35	N	
3164	City name	an..35	N	
C819	Country sub-entity details		N	
3229	Country sub-entity name code	an..9	N	
1131	Code list identification code	an..17	N	
3055	Code list responsible agency code	an..3	N	
3228	Country sub-entity name	an..70	N	
3251	Postal identification code	an..17	N	
3207	Country name code	an..3	N	

**Comment:**

**Example:**

NAD+MS'

## BIG07 IFTSTA Event and Delivery Report

### IFTSTA

<b>Group:</b>	<b>SG1</b>	Status: C	Max. Occ.: 1	NAD-SG2
<b>Group:</b>	<b>SG2</b>	Status: C	Max. Occ.: 1	CTA-COM
<b>Segment:</b>	<b>CTA</b>	Seq. No.: 7 Status: M	Level: 2 Max. Occ.: 1	<b>Contact information</b>

**Description of segment:** A segment to specify a contact name associated with the party.

EDIFACT			Application	
Tag	Name	Format	St	Use / Comments
3139	Contact function code	an..3	C	<b>BK = Electronic data interchange coordinator</b>
C056	Department or employee details		N	
3413	Department or employee name code	an..17	N	
3412	Department or employee name	an..35	N	

**Comment:**

**Example:**

CTA+BK'

## BIG07 IFTSTA Event and Delivery Report

### IFTSTA

<b>Group:</b>	<b>SG1</b>	Status: C	Max. Occ.: 1	NAD-SG2
<b>Group:</b>	<b>SG2</b>	Status: C	Max. Occ.: 1	CTA-COM
<b>Segment:</b>	<b>COM</b>	Seq. No.: 8 Status: C	Level: 3 Max. Occ.: 1	<b>Communication contact</b>

**Description of segment:** A segment to specify a communication number related to the contact.

EDIFACT			Application	
Tag	Name	Format	St	Use / Comments
C076	Communication contact		M	
3148	Communication address identifier	an..512	M	Email address
3155	Communication address code qualifier	an..3	M	<b>EM = Electronic mail</b>

**Comment:**

**Example:**

COM+itsupport@evry.no:EM'



## BIG07 IFTSTA Event and Delivery Report

### IFTSTA

**Group:** **SG1** Status: C Max. Occ.: 1 NAD

**Segment:** **NAD** Seq. No.: 9 Level: 1 **Name and address**  
 Status: M Max. Occ.: 1

**Description of segment:** A segment identifying a party to the consignment such as shipper or consignee.

EDIFACT			Application	
Tag	Name	Format	St	Use / Comments
3035	Party function code qualifier	an..3	M	<b>CZ = Consignor</b>
C082	Party identification details		C	
3039	Party identifier	an..35	M	Customer number
1131	Code list identification code	an..17	N	
3055	Code list responsible agency code	an..3	C	<b>87 = Assigned by carrier</b>
C058	Name and address		N	
3124	Name and address description	an..35	N	
3124	Name and address description	an..35	N	
3124	Name and address description	an..35	N	
3124	Name and address description	an..35	N	
3124	Name and address description	an..35	N	
C080	Party name		N	
3036	Party name	an..35	N	
3036	Party name	an..35	N	
3036	Party name	an..35	N	
3036	Party name	an..35	N	
3036	Party name	an..35	N	
3045	Party name format code	an..3	N	
C059	Street		N	
3042	Street and number or post office box identifier	an..35	N	
3042	Street and number or post office box identifier	an..35	N	
3042	Street and number or post office box identifier	an..35	N	
3042	Street and number or post office box identifier	an..35	N	
3164	City name	an..35	N	
C819	Country sub-entity details		N	
3229	Country sub-entity name code	an..9	N	
1131	Code list identification code	an..17	N	
3055	Code list responsible agency code	an..3	N	
3228	Country sub-entity name	an..70	N	
3251	Postal identification code	an..17	N	
3207	Country name code	an..3	N	

**Comment:**

**Example:**

NAD+CZ+10013913370::87'

## BIG07 IFTSTA Event and Delivery Report

### IFTSTA

**Group:** **SG4** Status: C Max. Occ.: 99999 CNI-SG5

**Segment:** **CNI** Seq. No.: 10 Level: 1 **Consignment information**  
 Status: M Max. Occ.: 1

**Description of segment:** A segment to identify a consignment for which status details are given.

EDIFACT			Application	
Tag	Name	Format	St	Use / Comments
1490	Consolidation item number	n..4	C	Sequence number
C503	Document/message details		C	
1004	Document identifier	an..35	C	Consignment number
1373	Document status code	an..3	N	
1366	Document source description	an..70	N	
3453	Language name code	an..3	N	
1056	Version identifier	an..9	N	
1060	Revision identifier	an..6	N	
1312	Consignment load sequence identifier	n..4	N	

**Comment:**

If the consignment number sent from customer is according to an agreed standard, this will be present in 1004. If not, a Bring consignment number will be used.

**Example:**

CNI+1+70707074500000128'



## BIG07 IFTSTA Event and Delivery Report

### IFTSTA

<b>Group:</b>	<b>SG4</b>	Status: C	Max. Occ.: 99999	CNI-SG5
<b>Group:</b>	<b>SG5</b>	Status: M	Max. Occ.: 99	STS-RFF-DTM-FTX-SG6-LOC-SG14
<b>Segment:</b>	<b>STS</b>	Seq. No.: 11 Status: M	Level: 2 Max. Occ.: 1	<b>Status</b>

**Description of segment:** A segment specifying the status relating to a consignment (e.g. loaded).

EDIFACT			Application	
Tag	Name	Format	St	Use / Comments
C601	Status category		C	
9015	Status category code	an..3	M	<b>1 = Transport</b>
1131	Code list identification code	an..17	N	
3055	Code list responsible agency code	an..3	N	
C555	Status		C	
4405	Status description code	an..3	M	In accordance with UN rec 24 e.g.: <b>12 = Cleared, by customs</b> <b>1 = Arrival, completed</b> <b>21 = Delivery, completed</b> <b>71 = Ready for transportation</b> <b>82 = Returned</b> See code list BIG07 for more status codes
1131	Code list identification code	an..17	N	
3055	Code list responsible agency code	an..3	N	
4404	Status description	an..35	C	Status description
C556	Status reason		C	
9013	Status reason description code	an..3	M	See code list BIG07 reason code list
1131	Code list identification code	an..17	N	
3055	Code list responsible agency code	an..3	C	<b>87 = Assigned by carrier</b>
9012	Status reason description	an..256	C	Reason description
C556	Status reason		N	
9013	Status reason description code	an..3	N	
1131	Code list identification code	an..17	N	
3055	Code list responsible agency code	an..3	N	
9012	Status reason description	an..256	N	
C556	Status reason		N	
9013	Status reason description code	an..3	N	
1131	Code list identification code	an..17	N	
3055	Code list responsible agency code	an..3	N	
9012	Status reason description	an..256	N	
C556	Status reason		N	
9013	Status reason description code	an..3	N	
1131	Code list identification code	an..17	N	
3055	Code list responsible agency code	an..3	N	
9012	Status reason description	an..256	N	
C556	Status reason		N	
9013	Status reason description code	an..3	N	

## BIG07 IFTSTA Event and Delivery Report

### IFTSTA

EDIFACT			Application	
Tag	Name	Format	St	Use / Comments
1131	Code list identification code	an..17	N	
3055	Code list responsible agency code	an..3	N	
9012	Status reason description	an..256	N	

**Comment:**

**Example:**

STS+1+82:::Returned+1::87:Addressee unknown'

## BIG07 IFTSTA Event and Delivery Report

### IFTSTA

<b>Group:</b>	<b>SG4</b>	Status: C	Max. Occ.: 99999	CNI-SG5
<b>Group:</b>	<b>SG5</b>	Status: M	Max. Occ.: 99	STS-RFF-DTM-FTX-SG6-LOC-SG14
<b>Segment:</b>	<b>RFF</b>	Seq. No.: 12 Status: C	Level: 3 Max. Occ.: 1	<b>Reference</b>

**Description of segment:** A segment identifying a reference relating to the status (e.g House Bill of Lading number).

EDIFACT			Application	
Tag	Name	Format	St	Use / Comments
C506	Reference		M	
1153	Reference code qualifier	an..3	M	<b>CU = Consignor's reference number</b>
1154	Reference identifier	an..70	C	Consignors reference number
1156	Document line identifier	an..6	N	
4000	Reference version identifier	an..35	N	
1060	Revision identifier	an..6	N	

**Comment:**

In RFF+CU the customer reference sent in corresponding transport instruction (IFTMIN normally) will be present.

**Example:**

RFF+CU:345789'

## BIG07 IFTSTA Event and Delivery Report

### IFTSTA

<b>Group:</b>	<b>SG4</b>	Status: C	Max. Occ.: 99999	CNI-SG5
<b>Group:</b>	<b>SG5</b>	Status: M	Max. Occ.: 99	STS-RFF-DTM-FTX-SG6-LOC-SG14
<b>Segment:</b>	<b>DTM</b>	Seq. No.: 13 Status: C	Level: 3 Max. Occ.: 1	<b>Date/time/period</b>

**Description of segment:** A segment indicating the date and time of the status or event.

EDIFACT			Application	
Tag	Name	Format	St	Use / Comments
C507	Date/time/period		M	
2005	Date or time or period function code qualifier	an..3	M	<b>78 = Event date/time/period actual</b>
2380	Date or time or period text	an..35	C	Event date/time
2379	Date or time or period format code	an..3	C	<b>203 = CCYYMMDDHHMM</b> <b>204 = CCYYMMDDHHMMSS</b>

**Comment:**

**Example:**

DTM+78:201305071100:203'

## BIG07 IFTSTA Event and Delivery Report

### IFTSTA

<b>Group:</b>	<b>SG4</b>	Status: C	Max. Occ.: 99999	CNI-SG5
<b>Group:</b>	<b>SG5</b>	Status: M	Max. Occ.: 99	STS-RFF-DTM-FTX-SG6-LOC-SG14
<b>Segment:</b>	<b>FTX</b>	Seq. No.: 14 Status: C	Level: 3 Max. Occ.: 1	<b>Free text</b>

**Description of segment:** A segment specifying processable information relating to the status.

EDIFACT			Application		
Tag	Name	Format	St	Use / Comments	
4451	Text subject code qualifier	an..3	M	<b>ZGR = Goods receiving contact signature (url)</b>	
4453	Free text function code	an..3	N		
C107	Text reference		N		
4441	Free text description code	an..17	N		
1131	Code list identification code	an..17	N		
3055	Code list responsible agency code	an..3	N		
C108	Text literal		C		
4440	Free text	an..512	M		URL for goods receivers signature
4440	Free text	an..512	N		
4440	Free text	an..512	N		
4440	Free text	an..512	N		
4440	Free text	an..512	N		
3453	Language name code	an..3	N		
4447	Free text format code	an..3	N		

**Comment:**

**Example:**

FTX+ZGR+++http?://www.bring.com/vbsndvandiqwumsnd...'

## BIG07 IFTSTA Event and Delivery Report

### IFTSTA

<b>Group:</b>	<b>SG4</b>	Status: C	Max. Occ.: 99999	CNI-SG5
<b>Group:</b>	<b>SG5</b>	Status: M	Max. Occ.: 99	STS-RFF-DTM-FTX-SG6-LOC-SG14
<b>Group:</b>	<b>SG6</b>	Status: C	Max. Occ.: 1	NAD
<b>Segment:</b>	<b>NAD</b>	Seq. No.: 15 Status: M	Level: 3 Max. Occ.: 1	<b>Name and address</b>

**Description of segment:** A segment specifying the name and/or address associated with the event such as notify party, terminal address, trucking company for gate move.

EDIFACT			Application		
Tag	Name	Format	St	Use / Comments	
3035	Party function code qualifier	an..3	M	<b>AP = Accepting party</b>	
C082	Party identification details		N		
3039	Party identifier	an..35	N		
1131	Code list identification code	an..17	N		
3055	Code list responsible agency code	an..3	N		
C058	Name and address		N		
3124	Name and address description	an..35	N		
3124	Name and address description	an..35	N		
3124	Name and address description	an..35	N		
3124	Name and address description	an..35	N		
3124	Name and address description	an..35	N		
C080	Party name		C		
3036	Party name	an..35	M		Accepting party name
3036	Party name	an..35	N		
3036	Party name	an..35	N		
3036	Party name	an..35	N		
3036	Party name	an..35	N		
3045	Party name format code	an..3	N		
C059	Street		N		
3042	Street and number or post office box identifier	an..35	N		
3042	Street and number or post office box identifier	an..35	N		
3042	Street and number or post office box identifier	an..35	N		
3042	Street and number or post office box identifier	an..35	N		
3164	City name	an..35	N		
C819	Country sub-entity details		N		
3229	Country sub-entity name code	an..9	N		
1131	Code list identification code	an..17	N		
3055	Code list responsible agency code	an..3	N		
3228	Country sub-entity name	an..70	N		

## BIG07 IFTSTA Event and Delivery Report

### IFTSTA

EDIFACT			Application	
Tag	Name	Format	St	Use / Comments
3251	Postal identification code	an..17	N	
3207	Country name code	an..3	N	

**Comment:**

**Example:**

NAD+AP+++Kalle Anka'

## BIG07 IFTSTA Event and Delivery Report

### IFTSTA

<b>Group:</b>	<b>SG4</b>	Status: C	Max. Occ.: 99999	CNI-SG5
<b>Group:</b>	<b>SG5</b>	Status: M	Max. Occ.: 99	STS-RFF-DTM-FTX-SG6-LOC-SG14
<b>Segment:</b>	<b>LOC</b>	Seq. No.: 16 Status: C	Level: 3 Max. Occ.: 1	<b>Place/location identification</b>

**Description of segment:** A segment identifying the location at which the status or event occurs.

EDIFACT			Application	
Tag	Name	Format	St	Use / Comments
3227	Location function code qualifier	an..3	M	<b>14 = Location of goods</b>
C517	Location identification		C	
3225	Location name code	an..35	C	Location code
1131	Code list identification code	an..17	C	<b>16 = Postcode directory</b> <b>45 = UN/LOCODE rec. no 16</b>
3055	Code list responsible agency code	an..3	N	
3224	Location name	an..256	C	Location name
C519	Related location one identification		C	
3223	First related location name code	an..25	C	Country code
1131	Code list identification code	an..17	C	<b>162 = Country</b>
3055	Code list responsible agency code	an..3	N	
3222	First related location name	an..70	N	
C553	Related location two identification		N	
3233	Second related location name code	an..25	N	
1131	Code list identification code	an..17	N	
3055	Code list responsible agency code	an..3	N	
3232	Second related location name	an..70	N	
5479	Relation code	an..3	N	

**Comment:**

**Example:**

LOC+14+1000:16::OSLO+NO:162'



## BIG07 IFTSTA Event and Delivery Report

### IFTSTA

<b>Group:</b>	<b>SG4</b>	Status: C	Max. Occ.: 99999	CNI-SG5
<b>Group:</b>	<b>SG5</b>	Status: M	Max. Occ.: 99	STS-RFF-DTM-FTX-SG6-LOC-SG14
<b>Group:</b>	<b>SG14</b>	Status: C	Max. Occ.: 1	GID-SG17
<b>Segment:</b>	<b>GID</b>	Seq. No.: 17 Status: M	Level: 3 Max. Occ.: 1	<b>Goods item details</b>

**Description of segment:** A segment identifying a goods item.

EDIFACT			Application	
Tag	Name	Format	St	Use / Comments
1496	Goods item number	n..5	C	Sequential number
C213	Number and type of packages		C	
7224	Package quantity	n..8	C	Number of packages
7065	Package type description code	an..17	N	
1131	Code list identification code	an..17	N	
3055	Code list responsible agency code	an..3	N	
7064	Type of packages	an..35	N	
7233	Packaging related description code	an..3	N	
C213	Number and type of packages		N	
7224	Package quantity	n..8	N	
7065	Package type description code	an..17	N	
1131	Code list identification code	an..17	N	
3055	Code list responsible agency code	an..3	N	
7064	Type of packages	an..35	N	
7233	Packaging related description code	an..3	N	
C213	Number and type of packages		N	
7224	Package quantity	n..8	N	
7065	Package type description code	an..17	N	
1131	Code list identification code	an..17	N	
3055	Code list responsible agency code	an..3	N	
7064	Type of packages	an..35	N	
7233	Packaging related description code	an..3	N	
C213	Number and type of packages		N	
7224	Package quantity	n..8	N	
7065	Package type description code	an..17	N	
1131	Code list identification code	an..17	N	
3055	Code list responsible agency code	an..3	N	
7064	Type of packages	an..35	N	
7233	Packaging related description code	an..3	N	
C213	Number and type of packages		N	

## BIG07 IFTSTA Event and Delivery Report

### IFTSTA

EDIFACT			Application	
Tag	Name	Format	St	Use / Comments
7224	Package quantity	n..8	N	
7065	Package type description code	an..17	N	
1131	Code list identification code	an..17	N	
3055	Code list responsible agency code	an..3	N	
7064	Type of packages	an..35	N	
7233	Packaging related description code	an..3	N	

**Comment:**

More than one GID will only occur if more than 99 package identities are sent

**Example:**

GID+1+1'

## BIG07 IFTSTA Event and Delivery Report

### IFTSTA

<b>Group:</b>	<b>SG4</b>	Status: C	Max. Occ.: 99999	CNI-SG5
<b>Group:</b>	<b>SG5</b>	Status: M	Max. Occ.: 99	STS-RFF-DTM-FTX-SG6-LOC-SG14
<b>Group:</b>	<b>SG14</b>	Status: C	Max. Occ.: 1	GID-SG17
<b>Group:</b>	<b>SG17</b>	Status: C	Max. Occ.: 99	PCI-GIN
<b>Segment:</b>	<b>PCI</b>	Seq. No.: 18 Status: M	Level: 4 Max. Occ.: 1	<b>Package identification</b>

**Description of segment:** A segment specifying marks related to the transport line items.

EDIFACT			Application	
Tag	Name	Format	St	Use / Comments
4233	Marking instructions code	an..3	C	<b>30 = Mark serial shipping container code</b> <b>18 = Carrier's instructions</b> UPU package id
C210	Marks & labels		C	
7102	Shipping marks description	an..35	M	Package id (SSCC)
7102	Shipping marks description	an..35	N	
7102	Shipping marks description	an..35	N	
7102	Shipping marks description	an..35	N	
7102	Shipping marks description	an..35	N	
7102	Shipping marks description	an..35	N	
7102	Shipping marks description	an..35	N	
7102	Shipping marks description	an..35	N	
7102	Shipping marks description	an..35	N	
7102	Shipping marks description	an..35	N	
8275	Container or package contents indicator code	an..3	N	
C827	Type of marking		N	
7511	Marking type code	an..3	N	
1131	Code list identification code	an..17	N	
3055	Code list responsible agency code	an..3	N	

**Comment:**

**Example:**

PCI+30+370707074500000129'

## BIG07 IFTSTA Event and Delivery Report

### IFTSTA

<b>Group:</b>	<b>SG4</b>	Status: C	Max. Occ.: 99999	CNI-SG5
<b>Group:</b>	<b>SG5</b>	Status: M	Max. Occ.: 99	STS-RFF-DTM-FTX-SG6-LOC-SG14
<b>Group:</b>	<b>SG14</b>	Status: C	Max. Occ.: 1	GID-SG17
<b>Group:</b>	<b>SG17</b>	Status: C	Max. Occ.: 99	PCI-GIN
<b>Segment:</b>	<b>GIN</b>	Seq. No.: 19 Status: C	Level: 5 Max. Occ.: 1	<b>Goods identity number</b>

**Description of segment:** A segment specifying identity numbers related to the transport line items.

EDIFACT			Application	
Tag	Name	Format	St	Use / Comments
7405	Object identification code qualifier	an..3	M	<b>ZCW = Original package number</b>
C208	Identity number range		M	
7402	Object identifier	an..35	M	
7402	Object identifier	an..35	N	
C208	Identity number range		N	
7402	Object identifier	an..35	N	
7402	Object identifier	an..35	N	
C208	Identity number range		N	
7402	Object identifier	an..35	N	
7402	Object identifier	an..35	N	
C208	Identity number range		N	
7402	Object identifier	an..35	N	
7402	Object identifier	an..35	N	
C208	Identity number range		N	
7402	Object identifier	an..35	N	
7402	Object identifier	an..35	N	

**Comment:**

**Example:**

GIN+ZCW+1234R456J'

## BIG07 IFTSTA Event and Delivery Report

### IFTSTA

Segment: **UNT**      Seq. No.: 20      Level: 0      **Message trailer**  
 Status: M      Max. Occ.: 1

**Description of segment:** A service segment ending a message, giving the total number of segments in the message (including the UNH & UNT) and the control reference number of the message.

EDIFACT			Application	
Tag	Name	Format	St	Use / Comments
0074	Number of segments in the message	n..6	M	
0062	Message reference number	an..14	M	

**Comment:**

**Example:**

UNT+18+999'

## BIG07 IFTSTA Event and Delivery Report

### IFTSTA

Segment: **UNZ**      Seq. No.: 21      Level: 0      Interchange trailer  
 Status: M      Max. Occ.: 1

**Description of segment:** To end and check the completeness of an interchange.

EDIFACT			Application	
Tag	Name	Format	St	Use / Comments
0036	Interchange control count	n..6	M	
0020	Interchange control reference	an..14	M	

**Comment:**

**Example:**

UNZ+1+12345'

# BIG07 IFTSTA Event and Delivery Report

## IFTSTA

### Example message

No.	Tag	Example
01	<b>UNA</b>	UNA:+. ? ' '
02	<b>UNB</b>	UNB+UNOC:3+7080003248381:14+NO0987654321:30+130508:1301+12345++ ++++1 ' '
03	<b>UNH</b>	UNH+999+IFTSTA:D:04A:UN:BIG07 ' '
04	<b>BGM</b>	BGM+77+5401163927+9 ' '
05	<b>DTM</b>	DTM+137:201305081210:203 ' '
	<b>SG1</b>	
06	<b>NAD</b>	NAD+MS ' '
	<b>SG2</b>	
07	<b>CTA</b>	CTA+BK ' '
08	<b>COM</b>	COM+itsupport@evry.no:EM ' '
	<b>SG1</b>	
09	<b>NAD</b>	NAD+CZ+10013913370::87 ' '
	<b>SG4</b>	
10	<b>CNI</b>	CNI+1+70707074500000128 ' '
	<b>SG5</b>	
11	<b>STS</b>	STS+1+82:::Returned+1::87:Addressee unknown ' '
12	<b>RFF</b>	RFF+CU:345789 ' '
13	<b>DTM</b>	DTM+78:201305071100:203 ' '
14	<b>FTX</b>	FTX+ZGR+++http?://www.bring.com/vbsndvandiqwumsnd... ' '
	<b>SG6</b>	
15	<b>NAD</b>	NAD+AP+++Kalle Anka ' '
16	<b>LOC</b>	LOC+14+1000:16::OSLO+NO:162 ' '
	<b>SG14</b>	
17	<b>GID</b>	GID+1+1 ' '
	<b>SG17</b>	
18	<b>PCI</b>	PCI+30+370707074500000129 ' '
19	<b>GIN</b>	GIN+ZCW+1234R456J ' '
20	<b>UNT</b>	UNT+18+999 ' '
21	<b>UNZ</b>	UNZ+1+12345 ' '