



Message Implementation Guideline

## **BPI (Bring Parcels AB) subset BIG14**

based on

### **IFTMIN**

Instruction message

### **Bring IFTMIN**

Version: 1  
Variant: 5  
Issue date: 2017-02-06  
Author: Eva H Walldow

---

1 Message Structure .....	4
2 Branching Diagram .....	6
3 Segments .....	8
4 Example .....	43

---

# Change Log BPI IFTMIN

---

Date	Version	Comments
2013-10-29	1_2	<ul style="list-style-type: none"><li>- New services (FTX+SSR) added: 0015,0016,0017,0033,0034,0094</li><li>- -Text added (RFF+SRN) 'and also mandatory for product 349 to Sweden'</li></ul>
2014-05-23	1_3	<ul style="list-style-type: none"><li>- New products added: 0011 – Box delivery , 0348 – CarryOn HomeShopping BulkSplit Return</li><li>- New service added: 0018 – Swap</li><li>- NAD+ZRR and NAD+DP separated</li><li>- NAD+DP required for PickUP Point/Locker delivery</li></ul>
2015-05-29	1_3	<ul style="list-style-type: none"><li>- Products 0319 and 0360 removed</li><li>- Service 0033 corrected to 1133</li><li>- Service 0034 corrected to 1134</li><li>- Service 0094 corrected to 1063</li><li>- New service added: 1094 – delivery notification to sender</li><li>- New service added: 1095 – delivery to 3<sup>rd</sup> party</li></ul>
2014-08-24	1_3	<ul style="list-style-type: none"><li>- New additional service '1142 = Telephone notification' added in FTX+SSR</li></ul>
2015-12-17	1_4	<ul style="list-style-type: none"><li>- Product name changed (FTX+PRD)</li><li>- Product 0337 and 0350 removed</li><li>- Services 0052,0086,0087,0089 and 0097 removed (FTX+SSR)</li><li>- Services 1063, 1133 and 1134 added</li></ul>
2017-02-06	1_5	<ul style="list-style-type: none"><li>- Product 0319 and 0359 removed (FTX+PRD)</li><li>- Service 0014 added and 0069 removed (FTX+PRD)</li><li>- DTM expanded to cover time span for delivery/collection date/time</li><li>- ZKK removed (RFF SG15)</li><li>- Comment changed to 'Party DP is required with Pickup Point details for service code 0010, 0011 and 1095' (NAD+DP)</li></ul>



## Structure / Table of Contents

Counter	No	Tag	St	MaxOcc	Level	Content
0000	1	UNA	R	1	0	Service string advice
0000	2	UNB	M	1	0	Interchange header
0010	3	UNH	M	1	0	Message header
0020	4	BGM	M	1	0	Beginning of message
0030	5	CTA	C	1	0	Contact information
0040	6	COM	C	3	1	Communication contact
0050	7	DTM	R	1	1	Date/time/period
0050	8	DTM	C	1	1	Date/time/period
0080	9	MOA	C	1	1	Monetary amount
0090	10	FTX	R	1	1	Free text
0090	11	FTX	C	99	1	Free text
0090	12	FTX	C	1	1	Free text
0100	13	CNT	R	3	1	Control total
0190		SG3	C	3	1	RFF
0200	14	RFF	M	1	1	Reference
0470		SG8	R	1	1	TDT
0480	15	TDT	M	1	1	Transport information
0570		SG11	M	2	1	NAD-SG12
0580	16	NAD	M	1	1	Name and address
0610		SG12	C	1	2	CTA-COM
0620	17	CTA	M	1	2	Contact information
0630	18	COM	C	3	3	Communication contact
0570		SG11	M	1	1	NAD
0580	19	NAD	M	1	1	Name and address
0570		SG11	C	1	1	NAD
0580	20	NAD	M	1	1	Name and address
0570		SG11	C	1	1	NAD
0580	21	NAD	M	1	1	Name and address
0570		SG11	C	1	1	NAD-SG15
0580	22	NAD	M	1	1	Name and address
0750		SG15	C	4	2	RFF
0760	23	RFF	R	1	2	Reference
0900		SG18	R	999	1	GID-SG20-SG21-SG23
0910	24	GID	M	1	1	Goods item details
1060		SG20	C	3	2	MEA
1070	25	MEA	M	1	2	Measurements
1090		SG21	C	1	2	DIM

Counter = Counter of segment/group within the standard  
 No = Consecutive segment number  
 MaxOcc = Maximum occurrence of the segment/group

St = Status  
 EDIFACT: M=Mandatory, C=Conditional  
 User specific: R=Required, O=Optional, D=Dependent,  
 A=Advised, N=Not used



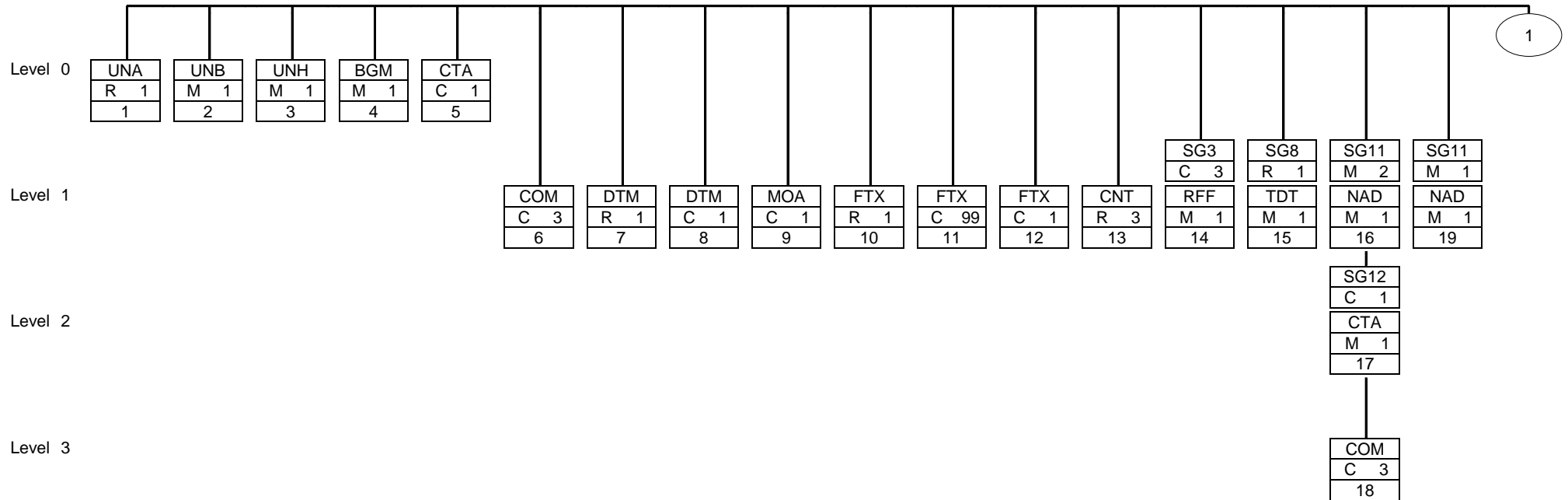
Counter	No	Tag	St	MaxOcc	Level	Content
1100	26	<b>DIM</b>	M	1	2	Dimensions
1150		<b>SG23</b>	R	1	2	PCI-RFF
1160	27	<b>PCI</b>	R	1	2	Package identification
1170	28	<b>RFF</b>	C	1	3	Reference
2000	29	<b>UNT</b>	M	1	0	Message trailer
0000	30	<b>UNZ</b>	M	1	0	Interchange trailer

Counter = Counter of segment/group within the standard  
 No = Consecutive segment number  
 MaxOcc = Maximum occurrence of the segment/group

St = Status  
 EDIFACT: M=Mandatory, C=Conditional  
 User specific: R=Required, O=Optional, D=Dependent,  
 A=Advised, N=Not used

# BPI (Bring Parcels AB) subset BIG14

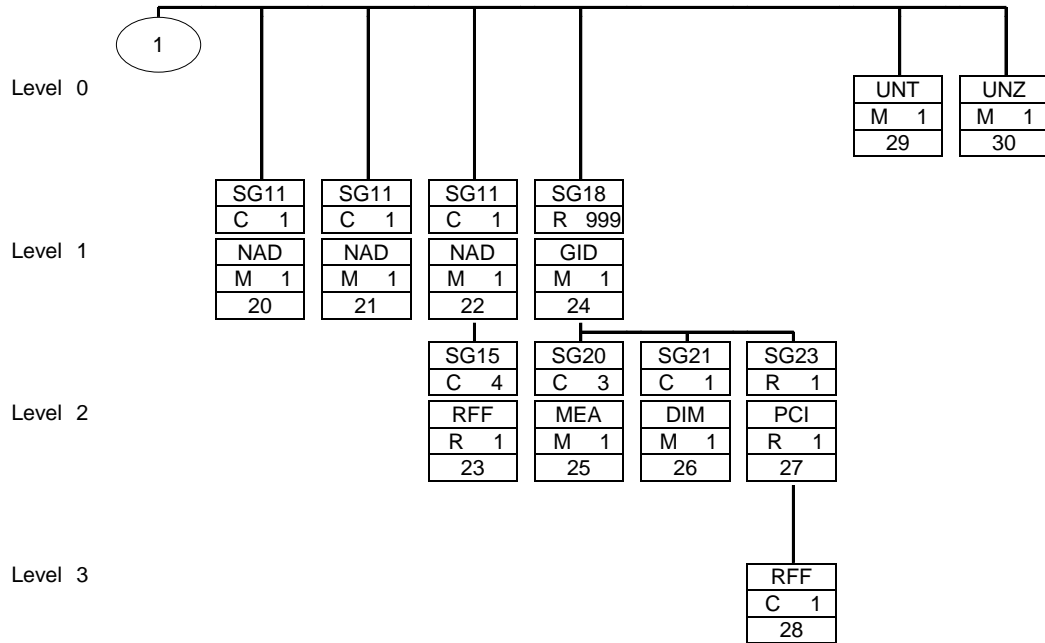
## IFTMIN



This is a branching diagram. Every variant of a segment or segment group described in the MIG appears exactly one times. The letters M and R characterise a 'mandatory' application status, whereas O means optional. The letter D is used for 'dependent' and the dependency will be described in comments. The number on the right-hand side explains the maximum occurrence of this segment or segment group. The undermost number is the consecutive number of the segment within the guide.

# BPI (Bring Parcels AB) subset BIG14

## IFTMIN



This is a branching diagram. Every variant of a segment or segment group described in the MIG appears exactly one times. The letters M and R characterise a 'mandatory' application status, whereas O means optional. The letter D is used for 'dependent' and the dependency will be described in comments. The number on the right-hand side explains the maximum occurrence of this segment or segment group. The undermost number is the consecutive number of the segment within the guide.

## BPI (Bring Parcels AB) subset BIG14

### IFTMIN

Segment: **UNA**      Seq. No.: 1      Level: 0      Service string advice  
 Status: R      Max. Occ.: 1

**Description of segment:** The service string advice shall begin with the upper case UNA immediately followed by six characters in the order shown below.

EDIFACT			Application	
Tag	Name	Format	St	Use / Comments
UNA1	Component data element separator	an1	M	: = Component data element separator
UNA2	Data element separator	an1	M	+ = Data element separator
UNA3	Decimal notation	an1	M	Decimal mark may be . (point) or , (comma) . = Decimal notation
UNA4	Release indicator	an1	M	? = Release indicator
UNA5	Reserved for future use	an1	M	Insert a space character
UNA6	Segment terminator	an1	M	' = Segment terminator

**Comment:**

**Example:**

UNA:+.? '

UNA:+,?' '



## BPI (Bring Parcels AB) subset BIG14

### IFTMIN

Segment: **UNB** Seq. No.: 2 Level: 0 Interchange header  
 Status: M Max. Occ.: 1

**Description of segment:** To identify an interchange.

**Notes:**

1. S001/0002 shall be 3 to indicate this version of the syntax.
2. The combination of the values carried in data elements S002, S003 and 0020 shall be used to identify uniquely the interchange, for the purpose of acknowledgement.

EDIFACT			Application	
Tag	Name	Format	St	Use / Comments
S001	Syntax identifier		M	
0001	Syntax identifier	a4	M	<b>UNOC = UN/ECE level C</b>
0002	Syntax version number	n1	M	<b>3 = Version 3</b>
S002	Interchange sender		M	
0004	Sender identification	an..35	M	Sender's EDI-ID
0007	Partner identification code qualifier	an..4	R	<b>30 = ISO 6523: Organization identification</b> <b>14 = EAN International</b> <b>ZZZ = Mutually agreed with Bring</b>
0008	Address for reverse routing	an..14	N	
S003	Interchange recipient		M	
0010	Recipient identification	an..35	M	Receiver's EDI-ID normally 7080003248381
0007	Partner identification code qualifier	an..4	R	<b>14 = EAN International</b>
0014	Routing address	an..14	N	
S004	Date/time of preparation		M	
0017	Date of preparation	n6	M	Date of preparation, format YYMMDD
0019	Time of preparation	n4	M	Time of preparation, format HHMM
0020	Interchange control reference	an..14	M	Interchange control reference (same as UNZ/0020)
S005	Recipient's reference, password		N	
0022	Recipient's reference/password	an..14	N	
0025	Recipient's reference/password qualifier	an2	N	
0026	Application reference	an..14	C	Name of originating system/application
0029	Processing priority code	a1	N	
0031	Acknowledgement request	n1	C	<b>1 = Acknowledgement requested</b>
0032	Communications agreement ID	an..35	N	
0035	Test indicator	n1	C	<b>1 = Interchange is a test</b>

**Comment:**

Values are only used as examples and must be replaced by relevant data

**Example:**

UNB+UNOC:3+BP01234567:ZZZ+7080003248381:14+101201:1105+1234567890++++1++1'

## BPI (Bring Parcels AB) subset BIG14

### IFTMIN

Segment: **UNH** Seq. No.: 3 Level: 0 Message header  
 Status: M Max. Occ.: 1

**Description of segment:** A service segment starting and uniquely identifying a message. The message type code for the instruction message is IFTMIN.

EDIFACT			Application	
Tag	Name	Format	St	Use / Comments
0062	Message reference number	an..14	M	Message reference number
S009	Message identifier		M	
0065	Message type	an..6	M	<b>IFTMIN = Instruction message</b>
0052	Message version number	an..3	M	<b>D = Draft version/UN/EDIFACT Directory</b>
0054	Message release number	an..3	M	<b>04A = Release 2004 - A</b>
0051	Controlling agency	an..2	M	<b>UN = UN/CEFACT</b>
0057	Association assigned code	an..6	R	<b>BIG14 = Bring Interchange Group</b>
0068	Common access reference	an..35	N	
S010	Status of the transfer		N	
0070	Sequence of transfers	n..2	N	
0073	First and last transfer	a1	N	

**Comment:**

**Example:**

UNH+1234+IFTMIN:D:04A:UN:BIG14'

## BPI (Bring Parcels AB) subset BIG14

### IFTMIN

Segment: **BGM** Seq. No.: 4 Level: 0 Beginning of message  
 Status: M Max. Occ.: 1

**Description of segment:** A segment to indicate the beginning of a message and to transmit identifying number and type of the message.

EDIFACT			Application	
Tag	Name	Format	St	Use / Comments
C002	Document/message name		R	
1001	Document name code	an..3	R	<b>610 = Forwarding instructions</b>
1131	Code list identification code	an..17	N	
3055	Code list responsible agency code	an..3	N	
1000	Document name	an..35	N	
C106	Document/message identification		R	
1004	Document identifier	an..35	R	Message identifier
1056	Version identifier	an..9	N	
1060	Revision identifier	an..6	N	
1225	Message function code	an..3	R	<b>1 = Cancellation</b> <b>5 = Replace</b> <b>9 = Original</b>
4343	Response type code	an..3	N	

**Comment:**

Use of replace and cancellation is allowed to Bring Parcels for B2B packages to DK,NO and SE and for B2C parcels to Norway provided that the package has not yet been scanned.

Consignment note number/ order number/ booking number/ date-time may be used as message identifier.

**Example:**

BGM+610+70123451234567898+9'

## BPI (Bring Parcels AB) subset BIG14

### IFTMIN

Segment:

**CTA**

Seq. No.: 5  
Status: C

Level: 0  
Max. Occ.: 1

Contact information

**Description of segment:** To identify a person or a department to whom communication should be directed.

EDIFACT			Application	
Tag	Name	Format	St	Use / Comments
3139	Contact function code	an..3	R	<b>BK = Electronic data interchange coordinator</b>
C056	Department or employee details		C	
3413	Department or employee name code	an..17	N	
3412	Department or employee name	an..35	C	

**Comment:**

**Example:**

CTA+BK+:EDI dep./ Eva HW'

## BPI (Bring Parcels AB) subset BIG14

### IFTMIN

Segment: **COM**      Seq. No.: 6      Level: 1      **Communication contact**  
 Status: C      Max. Occ.: 3

**Description of segment:** A segment to identify a communication number of a person or department to whom communication should be directed.

EDIFACT			Application	
Tag	Name	Format	St	Use / Comments
C076	Communication contact		M	
3148	Communication address identifier	an..512	M	Phone number/e-mail address
3155	Communication address code qualifier	an..3	M	<b>TE = Telephone</b> <b>AL = Cellular phone</b> <b>EM = Electronic mail</b>

**Comment:**

**Example:**

COM+eva.hw@bring.com:EM'

## BPI (Bring Parcels AB) subset BIG14

### IFTMIN

Segment: **DTM**      Seq. No.: 7      Level: 1      Date/time/period  
 Status: R      Max. Occ.: 1

**Description of segment:** A segment to indicate a date and time applying to the whole message, e.g., date and time of document issue.

EDIFACT			Application	
Tag	Name	Format	St	Use / Comments
C507	Date/time/period		M	
2005	Date or time or period function code qualifier	an..3	M	<b>137 = Document/message date/time</b>
2380	Date or time or period text	an..35	R	Document date/time
2379	Date or time or period format code	an..3	R	<b>102 = CCYYMMDD</b> <b>203 = CCYYMMDDHHMM</b>

**Comment:**

**Example:**

DTM+137:20100810:102'

## BPI (Bring Parcels AB) subset BIG14

### IFTMIN

Segment: **DTM**      Seq. No.: 8      Level: 1      Date/time/period  
 Status: C      Max. Occ.: 1

**Description of segment:** A segment to indicate a date and time applying to the whole message, e.g., date and time of document issue.

EDIFACT			Application	
Tag	Name	Format	St	Use / Comments
C507	Date/time/period		M	
2005	Date or time or period function code qualifier	an..3	M	<b>63 = Delivery date/time, latest</b> <b>64 = Delivery date/time, earliest</b> <b>234 = Collection date/time, earliest</b> <b>235 = Collection date/time, latest</b>
2380	Date or time or period text	an..35	R	Document date/time
2379	Date or time or period format code	an..3	R	<b>102 = CCYYMMDD</b> <b>203 = CCYYMMDDHHMM</b>

**Comment:**

If time span is not used, code 63 should be used for delivery date/time and code 234 should be used for collection date/time

**Example:**

DTM+234:20100810:102'

## BPI (Bring Parcels AB) subset BIG14

### IFTMIN

Segment: **MOA**      Seq. No.: 9      Level: 1      Monetary amount  
 Status: C      Max. Occ.: 1

**Description of segment:** A segment to indicate a monetary value for entire consignment, e.g. insured value, invoice amount, disbursements, etc.

EDIFACT			Application	
Tag	Name	Format	St	Use / Comments
C516	Monetary amount		M	
5025	Monetary amount type code qualifier	an..3	M	<b>22 = Cash on delivery amount</b>
5004	Monetary amount	n..35	R	Amount
6345	Currency identification code	an..3	R	<b>EUR = Euro</b> <b>NOK = Norwegian Crowns</b> <b>SEK = Swedish Crowns</b> Use ISO 4217 3 alpha code
6343	Currency type code qualifier	an..3	N	
4405	Status description code	an..3	N	

**Comment:**

**Example:**

MOA+22:4530.50:SEK'



## BPI (Bring Parcels AB) subset BIG14

### IFTMIN

Segment: **FTX** Seq. No.: 10 Level: 1 Free text  
 Status: R Max. Occ.: 1

**Description of segment:** A segment to specify free form or processable supplementary information, such as status of transport, remarks to be printed on the transport documents (where required), consignment remarks, insurance instructions, etc., or any other additional information.

EDIFACT			Application	
Tag	Name	Format	St	Use / Comments
4451	Text subject code qualifier	an..3	M	<b>PRD = Product information</b>  <b>0330 = Business Parcel</b> <b>0331 = Business Parcel Return</b> <b>0332 = Business Parcel Bulk</b> <b>0333 = Business Parcel Return Bulk</b> <b>0334 = Express Nordic 09.00 Bulk</b> <b>0335 = Express Nordic 09.00</b> <b>0336 = Business Pallet</b> <b>0339 = Express Nordic 09.00 Pallet (by special agreement)</b> <b>0340 = Pickup Parcel</b> <b>0341 = Pickup Parcel Return</b> <b>0342 = Pickup Parcel Bulk</b> <b>0343 = Pickup Parcel Return Bulk</b> <b>0345 = Home Delivery Mailbox</b> <b>0348 = Home Delivery Parcel Return</b> <b>0349 = Home Delivery Parcel</b> <b>0391 = Business Parcel VIP</b> <b>0392 = Business Pallet VIP</b>
4453	Free text function code	an..3	N	
C107	Text reference		N	
4441	Free text description code	an..17	N	
1131	Code list identification code	an..17	N	
3055	Code list responsible agency code	an..3	N	
C108	Text literal		R	
4440	Free text	an..512	R	
4440	Free text	an..512	N	
4440	Free text	an..512	N	
4440	Free text	an..512	N	
3453	Language name code	an..3	N	
4447	Free text format code	an..3	N	

**Comment:**

**Example:**

FTX+PRD+++0342'

## BPI (Bring Parcels AB) subset BIG14

### IFTMIN

Segment: **FTX** Seq. No.: 11 Level: 1 Free text  
 Status: C Max. Occ.: 99

**Description of segment:** A segment to specify free form or processable supplementary information, such as status of transport, remarks to be printed on the transport documents (where required), consignment remarks, insurance instructions, etc., or any other additional information.

EDIFACT			Application	
Tag	Name	Format	St	Use / Comments
4451	Text subject code qualifier	an..3	M	<b>SSR = Special service request</b>  Additional service codes <b>0003 = LQ (Limited quantity of dangerous goods)</b> <b>0010 = Optional Post Office</b> <b>0011 = Box Delivery</b> <b>0014 = External TSP</b> <b>0015 = Delivery/Pickup evening</b> <b>0016 = Delivery/Pickup weekend</b> <b>0017 = Express</b> <b>0018 = Swap</b> <b>0019 = Desktop Delivery (customer unique)</b> <b>0029 = Special Services (customer unique)</b> <b>0039 = Delivery Indoors</b> <b>0041 = Flex Delivery</b> <b>0051 = COD (Cash On Delivery)</b> <b>0058 = MPS (Multi Parcel Shipment)</b> <b>0061 = ½ Pallet</b> <b>0062 = ¼ Pallet</b> <b>0079 = Delivery before 12:00 (for future use)</b> <b>0091 = eAdvising</b> <b>1063 = ID/Kontrakt</b> <b>1094 = Delivery Notification to Sender</b> <b>1095 = Delivery Notification to 3rd party</b> <b>1133 = ID Verification</b> <b>1134 = ID Individual Verification</b> <b>1142 = Telephone Notification</b>
4453	Free text function code	an..3	N	
C107	Text reference		N	
4441	Free text description code	an..17	N	
1131	Code list identification code	an..17	N	
3055	Code list responsible agency code	an..3	N	
C108	Text literal		C	
4440	Free text	an..512	R	
4440	Free text	an..512	N	
4440	Free text	an..512	N	
4440	Free text	an..512	N	
3453	Language name code	an..3	N	
4447	Free text format code	an..3	N	

**Comment:**  
 Segment to be used once for each service.

**Example:**  
 FTX+SSR+++0051'

## BPI (Bring Parcels AB) subset BIG14

### IFTMIN

Segment: **FTX** Seq. No.: 12 Level: 1 **Free text**  
 Status: C Max. Occ.: 1

**Description of segment:** A segment to specify free form or processable supplementary information, such as status of transport, remarks to be printed on the transport documents (where required), consignment remarks, insurance instructions, etc., or any other additional information.

EDIFACT			Application		
Tag	Name	Format	St	Use / Comments	
4451	Text subject code qualifier	an..3	M	<b>ICN = Information for consignee</b>	
4453	Free text function code	an..3	N		
C107	Text reference		N		
4441	Free text description code	an..17	N		
1131	Code list identification code	an..17	N		
3055	Code list responsible agency code	an..3	N		
C108	Text literal		C		
4440	Free text	an..512	R		Free text
4440	Free text	an..512	N		
4440	Free text	an..512	N		
4440	Free text	an..512	N		
3453	Language name code	an..3	N		
4447	Free text format code	an..3	N		

**Comment:**  
 ICN -Information for consignee

**Example:**  
 FTX+ICN+++Stilles i garagen'

## BPI (Bring Parcels AB) subset BIG14

### IFTMIN

Segment: **CNT**      Seq. No.: 13      Level: 1      Control total  
 Status: R      Max. Occ.: 3

**Description of segment:** A segment to specify totals for a consignment.

EDIFACT			Application	
Tag	Name	Format	St	Use / Comments
C270	Control		M	
6069	Control total type code qualifier	an..3	M	<b>7 = Total gross weight</b> <b>11 = Total number of packages</b> <b>15 = Total consignment, cube</b>
6066	Control total quantity	n..18	M	Quantity
6411	Measurement unit code	an..8	C	<b>KGM = kilogram</b> <b>MTQ = cubic metre</b> <b>PCE = pieces</b>

**Comment:**

6069 - code 11 required. Code 7 and/or 15 is optional

**Example:**

CNT+11:1:PCE'

## BPI (Bring Parcels AB) subset BIG14

### IFTMIN

**Group:** **SG3** Status: C Max. Occ.: 3 RFF

**Segment:** **RFF** Seq. No.: 14 Level: 1 **Reference**  
 Status: M Max. Occ.: 1

**Description of segment:** A segment to express a reference which applies to the entire message such as: the document/ message number that is to be updated by this very message (according to data element 1225 Message function code in segment BGM), booking reference, order number, insurance contract, etc.

EDIFACT			Application	
Tag	Name	Format	St	Use / Comments
C506	Reference		M	
1153	Reference code qualifier	an..3	M	<b>ANT = Consignee's reference</b> (for future use) <b>CU = Consignor's reference number</b> <b>SRN = Shipment reference number</b>
1154	Reference identifier	an..70	R	Reference
1156	Document line identifier	an..6	N	
4000	Reference version identifier	an..35	N	
1060	Revision identifier	an..6	N	

**Comment:**

For Bring Parcels: SRN is used for GS1 shipment id for Parcels shipped to the same recipient at the same time and also mandatory for product 349 to Sweden.

**Example:**

RFF+SRN:70123451234567898'

## BPI (Bring Parcels AB) subset BIG14

### IFTMIN

<b>Group:</b>	<b>SG8</b>	Status: R	Max. Occ.: 1	TDT
<b>Segment:</b>	<b>TDT</b>	Seq. No.: 15 Status: M	Level: 1 Max. Occ.: 1	<b>Transport information</b>

**Description of segment:** A segment to indicate information related to a certain stage of the transport, such as mode, means and carrier.

EDIFACT			Application	
Tag	Name	Format	St	Use / Comments
8051	Transport stage code qualifier	an..3	M	<b>20 = Main-carriage transport</b>
8028	Means of transport journey identifier	an..17	C	Trip-/Journey-/Flight identifier Only used between carriers
C220	Mode of transport		C	Use UN/ECE Recommendation No 19
8067	Transport mode name code	an..3	N	
8066	Transport mode name	an..17	N	
C001	Transport means		N	
8179	Transport means description code	an..8	N	
1131	Code list identification code	an..17	N	
3055	Code list responsible agency code	an..3	N	
8178	Transport means description	an..17	N	
C040	Carrier		R	For transport only shown codes are valid
3127	Carrier identifier	an..17	R	<b>BPI = Bring Parcels AB</b>
1131	Code list identification code	an..17	C	Not in use
3055	Code list responsible agency code	an..3	R	<b>87 = Assigned by carrier</b>
3128	Carrier name	an..35	N	
8101	Transit direction indicator code	an..3	N	
C401	Excess transportation information		N	
8457	Excess transportation reason code	an..3	N	
8459	Excess transportation responsibility code	an..3	N	
7130	Customer shipment authorisation identifier	an..17	N	
C222	Transport identification		N	
8213	Transport means identification name identifier	an..9	N	
1131	Code list identification code	an..17	N	
3055	Code list responsible agency code	an..3	N	
8212	Transport means identification name	an..35	N	
8453	Transport means nationality code	an..3	N	
8281	Transport means ownership indicator code	an..3	N	

**Comment:**

**Example:**

TDT+20++++BPI::87'



## BPI (Bring Parcels AB) subset BIG14

### IFTMIN

<b>Group:</b>	<b>SG11</b>	Status: M	Max. Occ.: 2	NAD-SG12
<b>Segment:</b>	<b>NAD</b>	Seq. No.: 16 Status: M	Level: 1 Max. Occ.: 1	<b>Name and address</b>

**Description of segment:** A segment to identify the party's name, address, and function.

EDIFACT			Application	
Tag	Name	Format	St	Use / Comments
3035	Party function code qualifier	an..3	M	<b>CZ = Consignor</b> <b>CN = Consignee</b>
C082	Party identification details		C	
3039	Party identifier	an..35	M	Consignor/ Consignee identification number
1131	Code list identification code	an..17	N	
3055	Code list responsible agency code	an..3	R	<b>87 = Assigned by carrier</b> <b>91 = Assigned by seller or seller's agent</b>
C058	Name and address		N	
3124	Name and address description	an..35	N	
3124	Name and address description	an..35	N	
3124	Name and address description	an..35	N	
3124	Name and address description	an..35	N	
3124	Name and address description	an..35	N	
C080	Party name		R	
3036	Party name	an..35	M	Consignor/Consignee Name
3036	Party name	an..35	C	Additional information (not handled by all Bring companies)
3036	Party name	an..35	N	
3036	Party name	an..35	N	
3036	Party name	an..35	N	
3045	Party name format code	an..3	N	
C059	Street		R	
3042	Street and number or post office box identifier	an..35	M	Consignor/Consignee Street address
3042	Street and number or post office box identifier	an..35	C	To be used for additional information.
3042	Street and number or post office box identifier	an..35	N	
3042	Street and number or post office box identifier	an..35	N	
3164	City name	an..35	R	Consignor/Consignee City Name
C819	Country sub-entity details		C	
3229	Country sub-entity name code	an..9	C	
1131	Code list identification code	an..17	N	
3055	Code list responsible agency code	an..3	N	
3228	Country sub-entity name	an..70	N	
3251	Postal identification code	an..17	R	Consignor/Consignee Postal Code
3207	Country name code	an..3	R	Consignor/Consignee Country Code ISO 3166 2 Alpha to be used

**Comment:**

**Example:**



## BPI (Bring Parcels AB) subset BIG14

# IFTMIN

NAD+CZ+01234567::87++Consignor Name:Additional text+Vesterbrogade 5:3 etg.+Copenhagen V++1674+DK'



## BPI (Bring Parcels AB) subset BIG14

### IFTMIN

<b>Group:</b>	<b>SG11</b>	Status: M	Max. Occ.: 2	NAD-SG12
<b>Group:</b>	<b>SG12</b>	Status: C	Max. Occ.: 1	CTA-COM
<b>Segment:</b>	<b>CTA</b>	Seq. No.: 17 Status: M	Level: 2 Max. Occ.: 1	<b>Contact information</b>

**Description of segment:** A segment to identify a person or department within a party.

EDIFACT			Application	
Tag	Name	Format	St	Use / Comments
3139	Contact function code	an..3	C	<b>IC = Information contact</b>
C056	Department or employee details		C	
3413	Department or employee name code	an..17	N	
3412	Department or employee name	an..35	C	

**Comment:**

**Example:**

CTA+IC+:Kalle'  
CTA+IC'

## BPI (Bring Parcels AB) subset BIG14

### IFTMIN

<b>Group:</b>	<b>SG11</b>	Status: M	Max. Occ.: 2	NAD-SG12
<b>Group:</b>	<b>SG12</b>	Status: C	Max. Occ.: 1	CTA-COM
<b>Segment:</b>	<b>COM</b>	Seq. No.: 18 Status: C	Level: 3 Max. Occ.: 3	<b>Communication contact</b>

**Description of segment:** A segment to identify a communication number of a person or department to whom communication should be directed.

EDIFACT			Application	
Tag	Name	Format	St	Use / Comments
C076	Communication contact		M	
3148	Communication address identifier	an..512	M	Telephone number, Cellular number, E-mail address
3155	Communication address code qualifier	an..3	M	<b>AL = Cellular phone</b> <b>TE = Telephone</b> <b>EM = Electronic mail</b>

**Comment:**

Telephone number is only accepted in international format (containing + without blanks and dashes, and country number) or national format

Cellular number (qualifier AL) connected to Consignee is used for eAdvising

**Example:**

COM+?+46232498520:TE'

## BPI (Bring Parcels AB) subset BIG14

### IFTMIN

<b>Group:</b>	<b>SG11</b>	Status: M	Max. Occ.: 1	NAD
<b>Segment:</b>	<b>NAD</b>	Seq. No.: 19 Status: M	Level: 1 Max. Occ.: 1	<b>Name and address</b>

**Description of segment:** A segment to identify the party's name, address, and function.

EDIFACT			Application	
Tag	Name	Format	St	Use / Comments
3035	Party function code qualifier	an..3	M	<b>FP = Freight/charges payer</b>
C082	Party identification details		R	
3039	Party identifier	an..35	M	Freight Payer identification number
1131	Code list identification code	an..17	N	
3055	Code list responsible agency code	an..3	R	<b>87 = Assigned by carrier</b>
C058	Name and address		N	
3124	Name and address description	an..35	N	
3124	Name and address description	an..35	N	
3124	Name and address description	an..35	N	
3124	Name and address description	an..35	N	
3124	Name and address description	an..35	N	
C080	Party name		N	
3036	Party name	an..35	N	
3036	Party name	an..35	N	
3036	Party name	an..35	N	
3036	Party name	an..35	N	
3036	Party name	an..35	N	
3045	Party name format code	an..3	N	
C059	Street		N	
3042	Street and number or post office box identifier	an..35	N	
3042	Street and number or post office box identifier	an..35	N	
3042	Street and number or post office box identifier	an..35	N	
3042	Street and number or post office box identifier	an..35	N	
3164	City name	an..35	N	
C819	Country sub-entity details		N	
3229	Country sub-entity name code	an..9	N	
1131	Code list identification code	an..17	N	
3055	Code list responsible agency code	an..3	N	
3228	Country sub-entity name	an..70	N	
3251	Postal identification code	an..17	N	
3207	Country name code	an..3	N	

**Comment:**

This segment is mandatory and must contain the Bring Parcels customer number ( 8 or 11 digits)

**Example:**

NAD+FP+01234567::87'

## BPI (Bring Parcels AB) subset BIG14

### IFTMIN

<b>Group:</b>	<b>SG11</b>	Status: C	Max. Occ.: 1	NAD
<b>Segment:</b>	<b>NAD</b>	Seq. No.: 20 Status: M	Level: 1 Max. Occ.: 1	<b>Name and address</b>

**Description of segment:** A segment to identify the party's name, address, and function.

EDIFACT			Application	
Tag	Name	Format	St	Use / Comments
3035	Party function code qualifier	an..3	M	<b>DP = Delivery party</b>
C082	Party identification details		R	
3039	Party identifier	an..35	R	4 or 6 digit PickUp Point/Locker ID
1131	Code list identification code	an..17	N	
3055	Code list responsible agency code	an..3	C	<b>87 = Assigned by carrier</b>
C058	Name and address		N	
3124	Name and address description	an..35	N	
3124	Name and address description	an..35	N	
3124	Name and address description	an..35	N	
3124	Name and address description	an..35	N	
3124	Name and address description	an..35	N	
C080	Party name		R	
3036	Party name	an..35	R	PickUp Point/Locker Name
3036	Party name	an..35	N	
3036	Party name	an..35	N	
3036	Party name	an..35	N	
3036	Party name	an..35	N	
3045	Party name format code	an..3	N	
C059	Street		R	
3042	Street and number or post office box identifier	an..35	M	PickUp Point/Locker Street address
3042	Street and number or post office box identifier	an..35	C	To be used for additional information.
3042	Street and number or post office box identifier	an..35	N	
3042	Street and number or post office box identifier	an..35	N	
3164	City name	an..35	R	PickUp Point/Locker City Name
C819	Country sub-entity details		N	
3229	Country sub-entity name code	an..9	N	
1131	Code list identification code	an..17	N	
3055	Code list responsible agency code	an..3	N	
3228	Country sub-entity name	an..70	N	
3251	Postal identification code	an..17	R	PickUp Point/Locker Postal Code
3207	Country name code	an..3	R	PickUp Point/Locker Country Code ISO 3166 2 Alpha to be used

**Comment:**

Party DP is required with Pickup Point details for service code 0010, 0011 and 1095

**Example:**

## BPI (Bring Parcels AB) subset BIG14

# IFTMIN

NAD+DP+1080::87++SwipBox Bilka+Skovvangen 40-42:X+Kolding++6000+DK'

## BPI (Bring Parcels AB) subset BIG14

### IFTMIN

**Group:** **SG11** Status: C Max. Occ.: 1 NAD  
**Segment:** **NAD** Seq. No.: 21 Level: 1 Name and address  
 Status: M Max. Occ.: 1

**Description of segment:** A segment to identify the party's name, address, and function.

EDIFACT			Application	
Tag	Name	Format	St	Use / Comments
3035	Party function code qualifier	an..3	M	<b>ZRR = Return Address</b>
C082	Party identification details		N	
3039	Party identifier	an..35	N	
1131	Code list identification code	an..17	N	
3055	Code list responsible agency code	an..3	N	
C058	Name and address		N	
3124	Name and address description	an..35	N	
3124	Name and address description	an..35	N	
3124	Name and address description	an..35	N	
3124	Name and address description	an..35	N	
3124	Name and address description	an..35	N	
C080	Party name		R	
3036	Party name	an..35	R	Party Name
3036	Party name	an..35	C	Additional information (not handled by all Bring Companies)
3036	Party name	an..35	N	
3036	Party name	an..35	N	
3036	Party name	an..35	N	
3045	Party name format code	an..3	N	
C059	Street		R	
3042	Street and number or post office box identifier	an..35	M	Party Street and Number
3042	Street and number or post office box identifier	an..35	C	To be used for additional information.
3042	Street and number or post office box identifier	an..35	N	
3042	Street and number or post office box identifier	an..35	N	
3164	City name	an..35	R	City Name
C819	Country sub-entity details		N	
3229	Country sub-entity name code	an..9	N	
1131	Code list identification code	an..17	N	
3055	Code list responsible agency code	an..3	N	
3228	Country sub-entity name	an..70	N	
3251	Postal identification code	an..17	R	Postal Code
3207	Country name code	an..3	R	Country Code ISO 3166 2 Alpha to be used

**Comment:**

ZRR is to be used as return address when undeliverable goods is to be returned to other than consignor

**Example:**

## BPI (Bring Parcels AB) subset BIG14

# IFTMIN

NAD+ZRR+++Customer c/o Bring Parcels:c/o Andersson+Bordsvägen 3:X+Jönköping++55810+SE'

## BPI (Bring Parcels AB) subset BIG14

### IFTMIN

**Group:** **SG11** Status: C Max. Occ.: 1 NAD-SG15  
**Segment:** **NAD** Seq. No.: 22 Level: 1 Name and address  
 Status: M Max. Occ.: 1

**Description of segment:** A segment to identify the party's name, address, and function.

EDIFACT			Application	
Tag	Name	Format	St	Use / Comments
3035	Party function code qualifier	an..3	M	<b>PE = Payee</b>
C082	Party identification details		N	
3039	Party identifier	an..35	N	
1131	Code list identification code	an..17	N	
3055	Code list responsible agency code	an..3	N	
C058	Name and address		N	
3124	Name and address description	an..35	N	
3124	Name and address description	an..35	N	
3124	Name and address description	an..35	N	
3124	Name and address description	an..35	N	
3124	Name and address description	an..35	N	
C080	Party name		C	
3036	Party name	an..35	R	Payee Name
3036	Party name	an..35	N	
3036	Party name	an..35	N	
3036	Party name	an..35	N	
3036	Party name	an..35	N	
3045	Party name format code	an..3	N	
C059	Street		C	
3042	Street and number or post office box identifier	an..35	R	Payee Street number
3042	Street and number or post office box identifier	an..35	C	To be used for additional information.
3042	Street and number or post office box identifier	an..35	N	
3042	Street and number or post office box identifier	an..35	N	
3164	City name	an..35	R	Payee City Name
C819	Country sub-entity details		N	
3229	Country sub-entity name code	an..9	N	
1131	Code list identification code	an..17	N	
3055	Code list responsible agency code	an..3	N	
3228	Country sub-entity name	an..70	N	
3251	Postal identification code	an..17	R	Payee Posta Code
3207	Country name code	an..3	R	Payee Country Code ISO 3166 2 Alpha to be used

**Comment:**

PE is used to specify C.O.D. (Cash on delivery) receiver and required for COD shipments.

**Example:**





**BPI (Bring Parcels AB) subset BIG14**

## **IFTMIN**

NAD+PE+++COD recipient+Gustavlundsvägen 151E+Bromma++16714+SE'

## BPI (Bring Parcels AB) subset BIG14

### IFTMIN

<b>Group:</b>	<b>SG11</b>	Status: C	Max. Occ.: 1	NAD-SG15
<b>Group:</b>	<b>SG15</b>	Status: C	Max. Occ.: 4	RFF
<b>Segment:</b>	<b>RFF</b>	Seq. No.: 23 Status: R	Level: 2 Max. Occ.: 1	<b>Reference</b>

**Description of segment:** A segment to identify a reference used by a party.

EDIFACT			Application	
Tag	Name	Format	St	Use / Comments
C506	Reference		M	
1153	Reference code qualifier	an..3	M	<b>ADE = Account number</b> (For SE use Z01 or Z04) <b>PQ = Payment reference</b> (OCR/KID reference) <b>ZCH = Check Digit (digit for amount - Required for OCR account NO)</b> <b>SS = Sellers reference number</b> (Text reference) <b>Z01 = Bankgiro account (SE only)</b> <b>Z04 = Postgiro account (SE only)</b>
1154	Reference identifier	an..70	R	Account number/reference
1156	Document line identifier	an..6	N	
4000	Reference version identifier	an..35	N	
1060	Revision identifier	an..6	N	

**Comment:**

COD (Cash On Delivery) information

**Example:**

RFF+Z01:8719114'  
 RFF+ADE:F10304050606060601'  
 RFF+ZCH:1'  
 RFF+PQ:8485811688700304'

## BPI (Bring Parcels AB) subset BIG14

### IFTMIN

**Group:** **SG18** Status: R Max. Occ.: 999 GID-SG20-SG21-SG23  
**Segment:** **GID** Seq. No.: 24 Level: 1 **Goods item details**  
 Status: M Max. Occ.: 1

**Description of segment:** A segment to identify a goods item for which transport is undertaken. A goods item can be identified by up to three levels of packaging.

EDIFACT			Application	
Tag	Name	Format	St	Use / Comments
1496	Goods item number	n..5	R	Consignment- or customs line number (sequential)
C213	Number and type of packages		R	
7224	Package quantity	n..8	R	Quantity
7065	Package type description code	an..17	R	<b>CT = Carton - Package</b>
1131	Code list identification code	an..17	N	
3055	Code list responsible agency code	an..3	N	
7064	Type of packages	an..35	N	
7233	Packaging related description code	an..3	N	
C213	Number and type of packages		N	
7224	Package quantity	n..8	N	
7065	Package type description code	an..17	N	
1131	Code list identification code	an..17	N	
3055	Code list responsible agency code	an..3	N	
7064	Type of packages	an..35	N	
7233	Packaging related description code	an..3	N	
C213	Number and type of packages		N	
7224	Package quantity	n..8	N	
7065	Package type description code	an..17	N	
1131	Code list identification code	an..17	N	
3055	Code list responsible agency code	an..3	N	
7064	Type of packages	an..35	N	
7233	Packaging related description code	an..3	N	
C213	Number and type of packages		N	
7224	Package quantity	n..8	N	
7065	Package type description code	an..17	N	
1131	Code list identification code	an..17	N	
3055	Code list responsible agency code	an..3	N	

## BPI (Bring Parcels AB) subset BIG14

### IFTMIN

EDIFACT			Application	
Tag	Name	Format	St	Use / Comments
7064	Type of packages	an..35	N	
7233	Packaging related description code	an..3	N	

**Comment:**

For Bring Parcels the GID group (SG18) must be repeated for each package.

**Example:**

GID+1+1:CT'

## BPI (Bring Parcels AB) subset BIG14

### IFTMIN

<b>Group:</b>	<b>SG18</b>	Status: R	Max. Occ.: 999	GID-SG20-SG21-SG23
<b>Group:</b>	<b>SG20</b>	Status: C	Max. Occ.: 3	MEA
<b>Segment:</b>	<b>MEA</b>	Seq. No.: 25 Status: M	Level: 2 Max. Occ.: 1	<b>Measurements</b>

**Description of segment:** A segment to specify measurements, other than dimensions, applicable to a goods item.

EDIFACT			Application	
Tag	Name	Format	St	Use / Comments
6311	Measurement purpose code qualifier	an..3	M	<b>VOL = Volume</b> <b>WT = Weights</b>
C502	Measurement details		R	
6313	Measured attribute code	an..3	R	<b>AAW = Gross volume</b> <b>G = Gross weight</b> <b>ZLQ = Limited Quantity of dangerous goods</b>
6321	Measurement significance code	an..3	N	
6155	Non-discrete measurement name code	an..17	N	
6154	Non-discrete measurement name	an..70	N	
C174	Value/range		R	
6411	Measurement unit code	an..8	M	<b>KGM = kilogram</b> <b>MTQ = cubic metre</b>
6314	Measure	an..18	R	Value/quantity
6162	Range minimum quantity	n..18	N	
6152	Range maximum quantity	n..18	N	
6432	Significant digits quantity	n..2	N	
7383	Surface or layer code	an..3	N	

**Comment:**

Weight and/or volume is normally not required for Bring Parcels

**Example:**

MEA+WT+G+KGM:6.5'  
MEA+VOL+AAW+MTQ:0.5'  
MEA+WT+ZLQ+KGM:4'

## BPI (Bring Parcels AB) subset BIG14

### IFTMIN

<b>Group:</b>	<b>SG18</b>	Status: R	Max. Occ.: 999	GID-SG20-SG21-SG23
<b>Group:</b>	<b>SG21</b>	Status: C	Max. Occ.: 1	DIM
<b>Segment:</b>	<b>DIM</b>	Seq. No.: 26 Status: M	Level: 2 Max. Occ.: 1	<b>Dimensions</b>

**Description of segment:** To specify dimensions applicable to a goods item.

EDIFACT			Application	
Tag	Name	Format	St	Use / Comments
6145	Dimension type code qualifier	an..3	M	<b>2 = Package dimensions (including goods)</b>
C211	Dimensions		M	
6411	Measurement unit code	an..8	M	<b>CMT = centimetre</b> <b>MTR = metre</b>
6168	Length measure	n..15	R	Length
6140	Width measure	n..15	R	Width
6008	Height measure	n..15	R	Height

**Comment:**

**Example:**

DIM+2+CMT:60:50:100'

## BPI (Bring Parcels AB) subset BIG14

### IFTMIN

<b>Group:</b>	<b>SG18</b>	Status: R	Max. Occ.: 999	GID-SG20-SG21-SG23
<b>Group:</b>	<b>SG23</b>	Status: R	Max. Occ.: 1	PCI-RFF
<b>Segment:</b>	<b>PCI</b>	Seq. No.: 27 Status: R	Level: 2 Max. Occ.: 1	<b>Package identification</b>

**Description of segment:** A segment to specify marks and numbers of a goods item.

EDIFACT			Application	
Tag	Name	Format	St	Use / Comments
4233	Marking instructions code	an..3	R	<b>18 = Carrier's instructions</b> Code 39 <b>30 = Mark serial shipping container code</b> UCC/EAN-128 SSCC (Serial shipping container code)
C210	Marks & labels		R	
7102	Shipping marks description	an..35	M	Package identification AI should not be a part of SSCC
7102	Shipping marks description	an..35	N	
7102	Shipping marks description	an..35	N	
7102	Shipping marks description	an..35	N	
7102	Shipping marks description	an..35	N	
7102	Shipping marks description	an..35	N	
7102	Shipping marks description	an..35	N	
7102	Shipping marks description	an..35	N	
7102	Shipping marks description	an..35	N	
7102	Shipping marks description	an..35	N	
7102	Shipping marks description	an..35	N	
8275	Container or package contents indicator code	an..3	N	
C827	Type of marking		N	
7511	Marking type code	an..3	N	
1131	Code list identification code	an..17	N	
3055	Code list responsible agency code	an..3	N	

**Comment:**

Segment required for Bring Parcels

**Example:**

PCI+30+37040460000010750'

## BPI (Bring Parcels AB) subset BIG14

### IFTMIN

<b>Group:</b>	<b>SG18</b>	Status: R	Max. Occ.: 999	GID-SG20-SG21-SG23
<b>Group:</b>	<b>SG23</b>	Status: R	Max. Occ.: 1	PCI-RFF
<b>Segment:</b>	<b>RFF</b>	Seq. No.: 28 Status: C	Level: 3 Max. Occ.: 1	<b>Reference</b>

**Description of segment:** A segment to identify a reference relating to the marks and numbers.

EDIFACT			Application	
Tag	Name	Format	St	Use / Comments
C506	Reference		M	<b>CW = Package number</b> Package id
1153	Reference code qualifier	an..3	M	
1154	Reference identifier	an..70	R	
1156	Document line identifier	an..6	N	
4000	Reference version identifier	an..35	N	
1060	Revision identifier	an..6	N	

**Comment:**

This segment is used to state original package id issued by consignor.

**Example:**

RFF+CW:123456'



## BPI (Bring Parcels AB) subset BIG14

### IFTMIN

Segment: **UNT**      Seq. No.: 29      Level: 0      Message trailer  
 Status: M      Max. Occ.: 1

**Description of segment:** A service segment ending a message, giving the total number of segments in the message (including the UNH & UNT) and the control reference number of the message.

EDIFACT			Application	
Tag	Name	Format	St	Use / Comments
0074	Number of segments in the message	n..6	M	
0062	Message reference number	an..14	M	

**Comment:**

**Example:**

UNT+27+1234'

## BPI (Bring Parcels AB) subset BIG14

### IFTMIN

Segment: **UNZ**      Seq. No.: 30      Level: 0      Interchange trailer  
 Status: M      Max. Occ.: 1

**Description of segment:** To end and check the completeness of an interchange.

EDIFACT			Application	
Tag	Name	Format	St	Use / Comments
0036	Interchange control count	n..6	M	
0020	Interchange control reference	an..14	M	

**Comment:**

**Example:**

UNZ+1+1234567890'

# BPI (Bring Parcels AB) subset BIG14

## IFTMIN

### Example message

No.	Tag	Example
01	<b>UNA</b>	UNA:+.? ' UNA:+,? '
02	<b>UNB</b>	UNB+UNOC:3+BP01234567:ZZZ+7080003248381:14+101201:1105+12345678 90++++1++1'
03	<b>UNH</b>	UNH+1234+IFTMIN:D:04A:UN:BIG14'
04	<b>BGM</b>	BGM+610+70123451234567898+9'
05	<b>CTA</b>	CTA+BK+:EDI dep./ Eva HW'
06	<b>COM</b>	COM+eva.hw@bring.com:EM'
07	<b>DTM</b>	DTM+137:20100810:102'
08	<b>DTM</b>	DTM+234:20100810:102'
09	<b>MOA</b>	MOA+22:4530.50:SEK'
10	<b>FTX</b>	FTX+PRD+++0342'
11	<b>FTX</b>	FTX+SSR+++0051'
12	<b>FTX</b>	FTX+ICN+++Stilles i garagen'
13	<b>CNT</b>	CNT+11:1:PCE'
	<b>SG3</b>	
14	<b>RFF</b>	RFF+SRN:70123451234567898'
	<b>SG8</b>	
15	<b>TDT</b>	TDT+20++++BPI::87'
	<b>SG11</b>	
16	<b>NAD</b>	NAD+CZ+01234567::87++Consignor Name:Additional text+Vesterbroga de 5:3 etg.+Copenhagen V++1674+DK'
	<b>SG12</b>	
17	<b>CTA</b>	CTA+IC+:Kalle ' CTA+IC'
18	<b>COM</b>	COM+?+46232498520:TE'
	<b>SG11</b>	
19	<b>NAD</b>	NAD+FP+01234567::87'
	<b>SG11</b>	
20	<b>NAD</b>	NAD+DP+1080::87++SwipBox Bilka+Skovvangen 40-42:X+Kolding++6000 +DK'
	<b>SG11</b>	
21	<b>NAD</b>	NAD+ZRR+++Customer c/o Bring Parcels:c/o Andersson+Bordsvägen 3 :X+Jönköping++55810+SE'
	<b>SG11</b>	
22	<b>NAD</b>	NAD+PE+++COD recipient+Gustavlundsvägen 151E+Bromma++16714+SE'
	<b>SG15</b>	

# BPI (Bring Parcels AB) subset BIG14

## IFTMIN

### Example message

No.	Tag	Example
23	<b>RFF</b>	RFF+Z01:8719114' RFF+ADE:FI0304050606060601' RFF+ZCH:1' RFF+PQ:8485811688700304'
	<b>SG18</b>	
24	<b>GID</b>	GID+1+1:CT'
	<b>SG20</b>	
25	<b>MEA</b>	MEA+WT+G+KGM:6.5' MEA+VOL+AAW+MTQ:0.5' MEA+WT+ZLQ+KGM:4'
	<b>SG21</b>	
26	<b>DIM</b>	DIM+2+CMT:60:50:100'
	<b>SG23</b>	
27	<b>PCI</b>	PCI+30+370404600000010750'
28	<b>RFF</b>	RFF+CW:123456'
29	<b>UNT</b>	UNT+27+1234'
30	<b>UNZ</b>	UNZ+1+1234567890'